

MBExtra LLC EDI

Implementation Guide

Message Implementation Guideline for suppliers

MBExtra_004010_830

based on

**830 Planning Schedule with Release
Capability**

ANSI X12 004010

Version 1.2: 14. Dec 2017

Change History

	Date	Chapter	Description
1.0	27.Nov.2017	All	Document created
1.1	11.Dez.2017	All	Rework
1.2	14.Dez.2017	3.1, 3.2, 4.5	Updated ISA / GS segment with correct sender informations

1 Contents

Change History	2
1 Structure / Table of Contents	4
2 Branching Diagram of Used Segments/Groups	5
3 Segments	10
3.1 ISA Segment	10
3.2 GS Segment	11
3.3 ST Segment	12
3.4 BFR Segment	13
3.5 NTE Segment	14
3.6 PER Segment	15
3.7 TD5 Segment	16
3.8 MAN Segment	17
3.9 N1 Segment	18
3.10 N4 Segment	19
3.11 N1 Segment	20
3.12 N3 Segment	21
3.13 N4 Segment	22
3.14 LIN Segment	23
3.15 UIT Segment	24
3.16 PID Segment	25
3.17 PKG Segment	26
3.18 PO4 Segment	27
3.19 REF Segment	28
3.20 FST Segment	29
3.21 SHP Segment	30
3.22 REF Segment	31
3.23 SHP Segment	32
3.24 CTT Segment	33
3.25 SE Segment	34
3.26 GE Segment	35
3.27 IEA Segment	36
4 Appendix	37
4.1 General information	37
4.2 Format of MBEXTRA part number from LIN03	37
4.3 Segment FST	38
4.4 Segment SHP	38
4.5 Example message	39

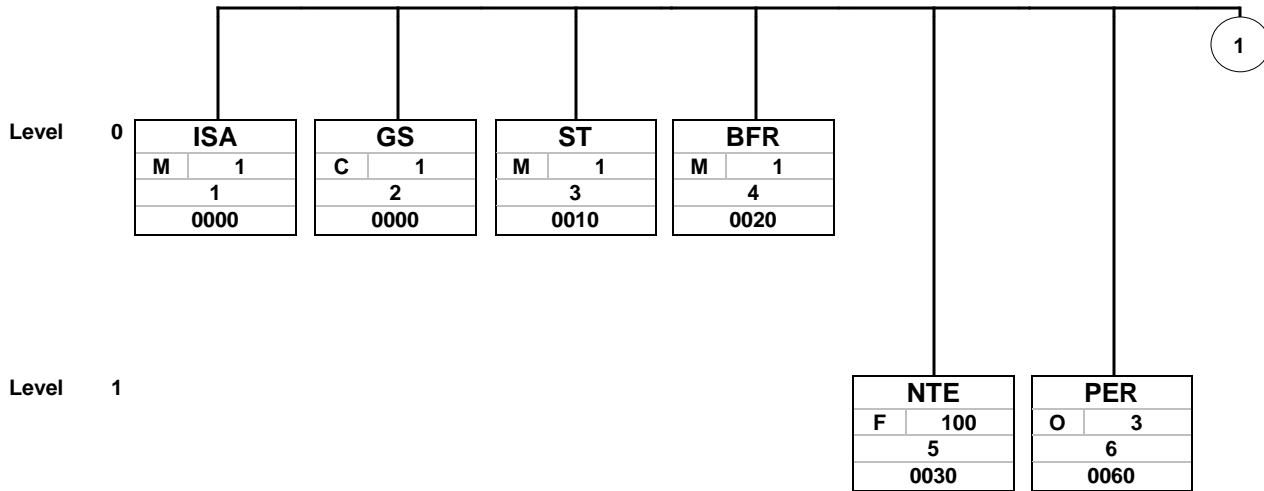
1 Structure / Table of Contents

Counter	No	Tag	St	MaxOcc	Level	Content
0000	1	ISA	M	1	0	Interchange Control Header
0000	2	GS	C	1	0	Functional Group Header
0010	3	ST	M	1	0	Transaction Set Header
0020	4	BFR	M	1	0	Beginning Segment for Planning Schedule
0030	5	NTE	F	100	1	Note/Special Instruction
0060	6	PER	O	3	1	Administrative Communications Contact
0190	7	TD5	O	12	1	Carrier Details (Routing Sequence/Transit Time)
0220	8	MAN	O	10	1	Marks and Numbers
0230		N1	O	200	1	N1-N4
0230	9	N1	M	1	1	Name
0260	10	N4	O	1	2	Geographic Location
0230		N1	O	200	1	N1-N3-N4
0230	11	N1	M	1	1	Name
0250	12	N3	O	2	2	Address Information
0260	13	N4	O	1	2	Geographic Location
0010		LIN	M	>1	1	LIN-UIT-PID-PKG-PO4-REF-FST-SHP-SHP-SHP
0010	14	LIN	M	1	1	Item Identification
0020	15	UIT	O	1	2	Unit Detail
0080	16	PID	O	1000	2	Product/Item Description
0110	17	PKG	O	25	2	Marking, Packaging, Loading
0120	18	PO4	O	1	2	Item Physical Details
0140	19	REF	O	12	2	Reference Numbers
0410		FST	O	>1	2	FST
0410	20	FST	M	1	2	Forecast Schedule
0470		SHP	O	25	2	SHP-REF
0470	21	SHP	M	1	2	Shipped/Received Information
0480	22	REF	O	5	3	Reference Numbers
0470		SHP	O	25	2	SHP
0470	23	SHP	M	1	2	Shipped/Received Information
0010	24	CTT	O	1	0	Transaction Totals
0020	25	SE	M	1	0	Transaction Set Trailer
0000	26	GE	C	1	0	Functional Group Trailer
0000	27	IEA	M	1	0	Interchange Control Trailer

No = Consecutive segment number
 MaxOcc = Maximum occurrence of the segment/group
 Counter = Counter of segment/group within the standard

St = Status (M=Mandatory, R=Required, C=Conditional,
 O=Optional, F=Floating, D=Dependent, A=Advised,
 S=Situational, X=Not used, N=Not recommended)

2 Branching Diagram of Used Segments/Groups



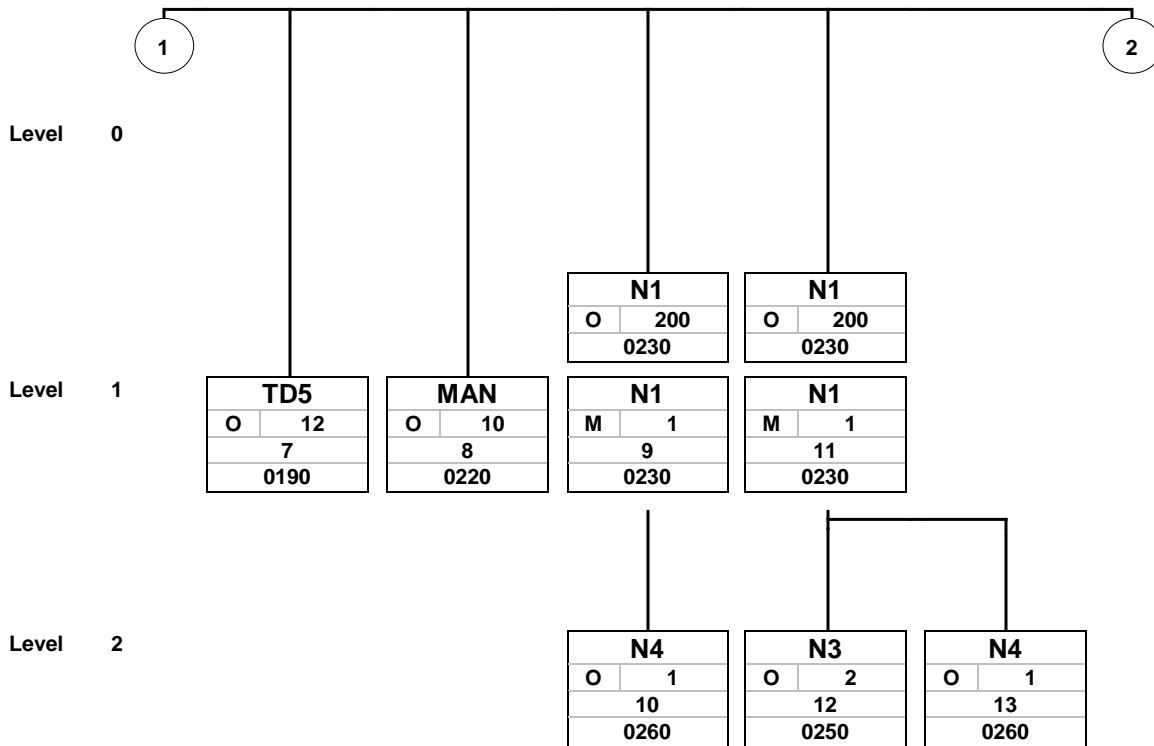
Tag
St MaxOcc
No
Counter

Tag = Segment/Group Tag

St = Status (M=Mandatory, R=Required, C=Conditional, O=Optional, F=Floating, D=Dependent, A=Advised, S=Situational, X=Not used, N=Not recommended)

MaxOcc = Maximum occurrence of the segment/group

No = Consecutive segment number, Counter = Counter of segment/group within the standard



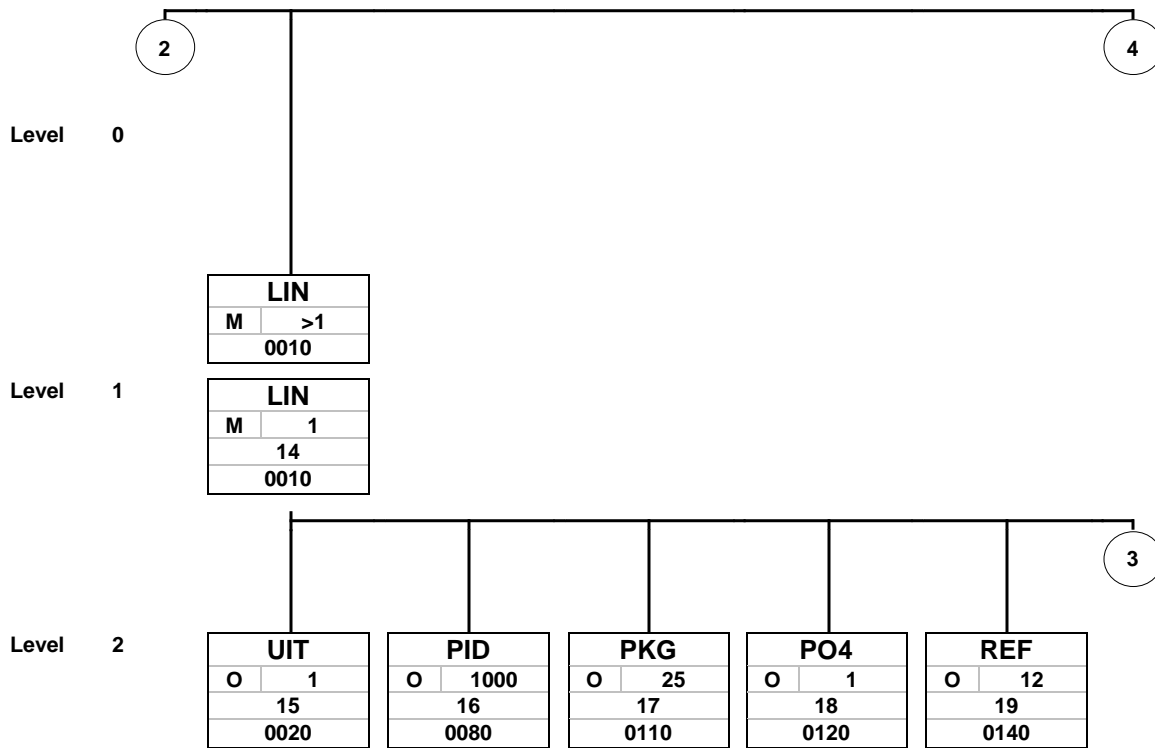
Tag
St MaxOcc
No
Counter

Tag = Segment/Group Tag

St = Status (M=Mandatory, R=Required, C=Conditional, O=Optional, F=Floating, D=Dependent, A=Advised, S=Situational, X=Not used, N=Not recommended)

MaxOcc = Maximum occurrence of the segment/group

No = Consecutive segment number, Counter = Counter of segment/group within the standard



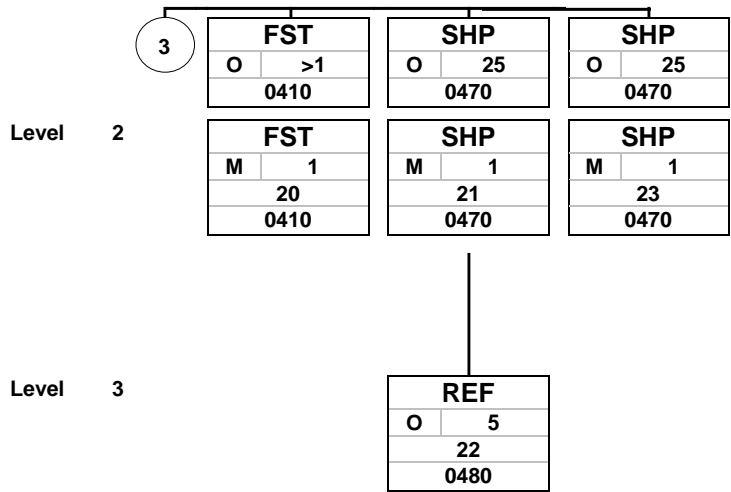
Tag
St MaxOcc
No
Counter

Tag = Segment/Group Tag

St = Status (M=Mandatory, R=Required, C=Conditional, O=Optional, F=Floating, D=Dependent, A=Advised, S=Situational, X=Not used, N=Not recommended)

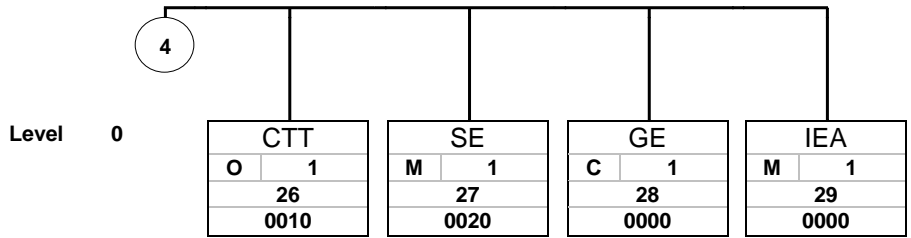
MaxOcc = Maximum occurrence of the segment/group

No = Consecutive segment number, Counter = Counter of segment/group within the standard



Tag
St MaxOcc
No
Counter

Tag = Segment/Group Tag
 St = Status (M=Mandatory, R=Required, C=Conditional, O=Optional, F=Floating, D=Dependent, A=Advised, S=Situational, X=Not used, N=Not recommended)
 MaxOcc = Maximum occurrence of the segment/group
 No = Consecutive segment number, Counter = Counter of segment/group within the standard



Tag	
St	MaxOcc
No	
Counter	

Tag = Segment/Group Tag
 St = Status (M=Mandatory, R=Required, C=Conditional, O=Optional, F=Floating, D=Dependent, A=Advised, S=Situational, X=Not used, N=Not recommended)
 MaxOcc = Maximum occurrence of the segment/group
 No = Consecutive segment number, Counter = Counter of segment/group within the standard

3 Segments

3.1 ISA Segment

Counter	No	Tag	St	MaxOcc	Level	Name
0000	1	ISA	M	1	0	Interchange Control Header

		Standard	Implementation		
Tag	Name	St Format	St Format	Usage / Remark	
ISA					
I01	Authorization Information Qualifier	M ID 2/2	M ID 2/2	00 No Authorization Information Present (No Meaningful Information in I02)	
I02	Authorization Information	M AN 10/10	M AN 10/10		
I03	Security Information Qualifier	M ID 2/2	M ID 2/2	00 No Security Information Present (No Meaningful Information in I04)	
I04	Security Information	M AN 10/10	M AN 10/10		
I05	Interchange ID Qualifier	M ID 2/2	M ID 2/2	01-Duns Number, 08-Phone Number, ZZ-Mutually defined	
I06	Interchange Sender ID	M AN 15/15	M AN 15/15		
I05	Interchange ID Qualifier	M ID 2/2	M ID 2/2	01-Duns Number, 08-Phone Number, ZZ-Mutually defined	
I07	Interchange Receiver ID	M AN 15/15	M AN 15/15		
I08	Interchange Date	M DT 6/6	M DT 6/6	The date is in year month day (YYDDMM) format	
I09	Interchange Time	M TM 4/4	M TM 4/4	The local time the ISA was created, it is in HHMM format and the valid ranges are 0000 to 2359	
I10	Interchange Control Standards Identifier	M ID 1/1	M ID 1/1	UU.S. EDI Community of ASC X12, TDCC, and UCS	
I11	Interchange Control Version Number	M ID 5/5	M ID 5/5	00200 Standard Issued as ANSI X12.5-1987	
I12	Interchange Control Number	M NO 9/9	M NO 9/9		
I13	Acknowledgment Requested	M ID 1/1	M ID 1/1	0 No Acknowledgment Requested	
I14	Test Indicator	M ID 1/1	M ID 1/1	Definition: T-Test, P-Production	
I15	Component Element Separator	M AN 1/1	M AN 1/1	Sub Element Separator	

Remarks:

- Value for field I06 Interchange Sender ID will be:
 - DAI_GSSPLUS_P for all productive messages
 - DAI_GSSPLUS_T for all test messages
- Field I07 will hold the MBEXTRA partner number (supplier number of receiving party in the MBEXTRA system) and hold a 10 digit number

Example:

```
ISA*00*          *00*          *ZZ*DAI_GSSPLUS_P *01*189202666      *140717*0940*U*00200*000001751*0*P*>~
ISA*00*          *00*          *ZZ*DAI_GSSPLUS_T  *01*189202666      *140717*0940*U*00200*000001751*0*T*>~
```

No = Consecutive segment number
 MaxOcc = Maximum occurrence of the segment/group
 Counter = Counter of segment/group within the standard

St = Status (M=Mandatory, R=Required, C=Conditional,
 O=Optional, F=Floating, D=Dependent, A=Advised,
 S=Situational, X=Not used, N=Not recommended)

3.2 GS Segment

Counter	No	Tag	St	MaxOcc	Level	Name
---------	----	-----	----	--------	-------	------

0000	2	GS	C	1	0	Functional Group Header
------	---	-----------	---	---	---	-------------------------

Standard			Implementation		
Tag	Name	St Format	St Format	Usage / Remark	
GS					
479	Functional Identifier Code	M ID 2/2	M ID 2/2	PS Planning Schedule with Release Capability (830)	
142	Application Sender's Code	M AN 2/15	M AN 2/15	18802587	
124	Application Receiver's Code	M AN 2/15	M AN 2/15	Supplier number without preceding zeros	
373	Date	M DT 6/6	M DT 6/6		
337	Time	M TM 4/8	M TM 4/8		
28	Group Control Number	M NO 1/9	M NO 1/9		
455	Responsible Agency Code	M ID 1/2	M ID 1/2	X Accredited Standards Committee X12	
480	Version / Release / Industry Identifier Code	M AN 1/12	M AN 1/12	004010 Draft Standards Approved for Publication by ASC X12 Procedures Review Board through October 1994	

Remarks:

Field GS03 SUPPLIER - is your supplier number as defined by MBEXTRA (e.g. 15515901B)

Example:

GS*PS*18802587*SUPPLIER*030430*1304*7156*X*004010 ~

No = Consecutive segment number
 MaxOcc = Maximum occurrence of the segment/group
 Counter = Counter of segment/group within the standard

St = Status (M=Mandatory, R=Required, C=Conditional, O=Optional, F=Floating, D=Dependent, A=Advised, S=Situational, X=Not used, N=Not recommended)

3.3 ST Segment

Counter	No	Tag	St	MaxOcc	Level	Name
0010	3	ST	M	1	0	Transaction Set Header

Standard			Implementation	
Tag	Name	St Format	St Format	Usage / Remark
ST				
143	Transaction Set Identifier Code	M ID 3/3	M ID 3/3	830 X12.14 Planning Schedule with Release Capability
329	Transaction Set Control Number	M AN 4/9	M AN 4/9	

Remark:

Field ST02 The value from this field can be reference in case of errors.

Example:

ST*830*299728~

No = Consecutive segment number
 MaxOcc = Maximum occurrence of the segment/group
 Counter = Counter of segment/group within the standard

St = Status (M=Mandatory, R=Required, C=Conditional, O=Optional, F=Floating, D=Dependent, A=Advised, S=Situational, X=Not used, N=Not recommended)

3.4 BFR Segment

Counter	No	Tag	St	MaxOcc	Level	Name
---------	----	-----	----	--------	-------	------

0020 4 **BFR** M 1 0 Beginning Segment for Planning Schedule

Standard			Implementation	
Tag	Name	St Format	St Format	Usage / Remark
BFR				
353	Transaction Set Purpose Code	M ID 2/2	M ID 2/2	05 Replace Replace
127	Reference Number	C AN 1/30	N	Not used
328	Release Number	C AN 1/30	C AN 1/30	MBEXTRA number for forecast (running number)
675	Schedule Type Qualifier	M ID 2/2	M ID 2/2	DL Delivery Based
676	Schedule Quantity Qualifier	M ID 1/1	M ID 1/1	A Actual Discrete Quantities
373	Date	M DT 6/6	M DT 6/6	Delivery Schedule Date
373	Date	O DT 6/6	O DT 6/6	Delivery schedule valid to date
373	Date	M DT 6/6	M DT 6/6	MBEXTRA scheduling agreement date
373	Date	O DT 6/6	O DT 6/6	Not used
367	Contract Number	O AN 1/30	N	Not used
324	Purchase Order Number	O AN 1/22	O AN 1/22	Scheduling agreement number
783	Planning Schedule Type Code	O ID 2/2	N	Not used
306	Action Code	O ID 1/2	N	Not used

Remark:

IMPORTANT: The material release is sent for each combination of scheduling agreement number (BFR11) and Scheduling agreement item (LIN01). Both have to be referenced in the 856 ASN message

Field BFR11 This field will be repeated in field LIN07 and has to be referenced in the 856 transmission in field LIN-PRF01.

Example:

BFR*05**73*DL*A*150601*151130*150607***5500061079~

No = Consecutive segment number
 MaxOcc = Maximum occurrence of the segment/group
 Counter = Counter of segment/group within the standard

St = Status (M=Mandatory, R=Required, C=Conditional,
 O=Optional, F=Floating, D=Dependent, A=Advised,
 S=Situational, X=Not used, N=Not recommended)

3.5 NTE Segment

Counter	No	Tag	St	MaxOcc	Level	Name
---------	----	-----	----	--------	-------	------

0030	5	NTE	F	100	1	Note/Special Instruction
------	---	------------	---	-----	---	--------------------------

Standard			Implementation	
Tag	Name	St Format	St Format	Usage / Remark
NTE				
363	Note Reference Code	O ID 3/3	O ID 3/3	LIN Line Item
352	Description	M AN 1/80	M AN 1/80	Special remarks regarding delivery schedule

Remark:

Example:

NTE*LIN*THIS TEXT CAN HOLD REMARKS OR NOTES REGARDING THIS RELEASE~

No = Consecutive segment number
 MaxOcc = Maximum occurrence of the segment/group
 Counter = Counter of segment/group within the standard

St = Status (M=Mandatory, R=Required, C=Conditional,
 O=Optional, F=Floating, D=Dependent, A=Advised,
 S=Situational, X=Not used, N=Not recommended)

3.6 PER Segment

Counter	No	Tag	St	MaxOcc	Level	Name
---------	----	-----	----	--------	-------	------

0060	6	PER	O	3	1	Administrative Communications Contact
------	---	------------	---	---	---	--

Standard			Implementation	
Tag	Name	St Format	St Format	Usage / Remark
PER				
366	Contact Function Code	M ID 2/2	M ID 2/2	OD Order Department
93	Name	O AN 1/35	O AN 1/35	Internal code and Name of MRP controller
365	Communication Number Qualifier	C ID 2/2	C ID 2/2	IT International Telephone
364	Communication Number	C AN 1/80	C AN 1/80	Phone number of MRP controller
365	Communication Number Qualifier	C ID 2/2	N	Not used
364	Communication Number	C AN 1/80	N	Not used
365	Communication Number Qualifier	C ID 2/2	N	Not used
364	Communication Number	C AN 1/80	N	Not used
443	Contact Inquiry Reference	O AN 1/20	N	Not used

Remark:

Field PER02 Holds MRP code and name of MRP controller responsible for this part.

Field PER04 Phone number of MRP controller (may not hold area code 205)

Example:

PER*OD*159-Guadalupe Polo*IT*507-3560~

No = Consecutive segment number
 MaxOcc = Maximum occurrence of the segment/group
 Counter = Counter of segment/group within the standard

St = Status (M=Mandatory, R=Required, C=Conditional, O=Optional, F=Floating, D=Dependent, A=Advised, S=Situational, X=Not used, N=Not recommended)

3.7 TD5 Segment

Counter	No	Tag	St	MaxOcc	Level	Name
---------	----	-----	----	--------	-------	------

0190 7 **TD5** O 12 1 **Carrier Details (Routing Sequence/Transit Time)**

Standard			Implementation	
Tag	Name	St Format	St Format	Usage / Remark
TD5				
133	Routing Sequence Code	O ID 1/2	N	Not used
66	Identification Code Qualifier	C ID 1/2	N	Not used
67	Identification Code	C AN 2/20	N	Not used
91	Transportation Method/Type Code	C ID 1/2	C ID 1/2	A Air H Customer Pickup J Motor R Rail S Ocean
387	Routing	C AN 1/35	N	Not used
368	Shipment/Order Status Code	C ID 2/2	N	Not used
309	Location Qualifier	O ID 1/2	N	Not used
310	Location Identifier	C AN 1/30	N	Not used
731	Transit Direction Code	O ID 2/2	N	Not used
732	Transit Time Direction Qualifier	O ID 2/2	N	Not used
733	Transit Time	C R 1/4	N	Not used
284	Service Level Code	C ID 2/2	N	Not used

Remark:

Example:

TD5****J~

No = Consecutive segment number
 MaxOcc = Maximum occurrence of the segment/group
 Counter = Counter of segment/group within the standard

St = Status (M=Mandatory, R=Required, C=Conditional, O=Optional, F=Floating, D=Dependent, A=Advised, S=Situational, X=Not used, N=Not recommended)

3.8 MAN Segment

Counter	No	Tag	St	MaxOcc	Level	Name
0220	8	MAN	O	10	1	Marks and Numbers

Standard			Implementation		
Tag	Name	St Format	St Format	Usage / Remark	
MAN					
88	Marks and Numbers Qualifier	M ID 1/2	M ID 1/2	DZ Receiver Assigned Drop Zone	
87	Marks and Numbers	M AN 1/45	M AN 1/45	Internal Route information	
87	Marks and Numbers	O AN 1/45	N	Not used	
88	Marks and Numbers Qualifier	C ID 1/2	N	Not used	
87	Marks and Numbers	C AN 1/45	N	Not used	
87	Marks and Numbers	O AN 1/45	N	Not used	

Remark:

Field MAN02 This Field may hold information like the internal KLT route that can be used to group different part numbers per pallet.

Example:

MAN*DZ*X030I06~

No = Consecutive segment number
 MaxOcc = Maximum occurrence of the segment/group
 Counter = Counter of segment/group within the standard

St = Status (M=Mandatory, R=Required, C=Conditional,
 O=Optional, F=Floating, D=Dependent, A=Advised,
 S=Situational, X=Not used, N=Not recommended)

3.9 N1 Segment

Counter	No	Tag	St	MaxOcc	Level	Name
0230		N1	O	200	1	N1-N4
0230	9	N1	M	1	1	Name

Standard			Implementation	
Tag	Name	St Format	St Format	Usage / Remark
N1				
98	Entity Identifier Code	M ID 2/2	M ID 2/2	ST Ship To
93	Name	C AN 1/35	C AN 1/35	Name of goods receiver
66	Identification Code Qualifier	C ID 1/2	C ID 1/2	92 Assigned by Buyer or Buyer's Agent
67	Identification Code	C AN 2/20	C AN 2/20	Customer plant code (US02 for consolidation center, DD02 for direct delivery)
706	Entity Relationship Code	O ID 2/2	N	Not used
98	Entity Identifier Code	O ID 2/2	N	Not used

Remark:

Field N104 Field has to be referenced in 856 transmissions for each LIN segment in field LIN-N104.

Example:

N1*ST*MBEXTRA Hub*92*US02~
 N1*ST*Compass*92*DD02~

No = Consecutive segment number
 MaxOcc = Maximum occurrence of the segment/group
 Counter = Counter of segment/group within the standard

St = Status (M=Mandatory, R=Required, C=Conditional,
 O=Optional, F=Floating, D=Dependent, A=Advised,
 S=Situational, X=Not used, N=Not recommended)

3.10 N4 Segment

Counter	No	Tag	St	MaxOcc	Level	Name
0230		N1	O	200	1	N1-N4
0260	10	N4	O	1	2	Geographic Location

Standard			Implementation	
Tag	Name	St Format	St Format	Usage / Remark
N4				
19	City Name	O AN 2/30	N	City of customer address
156	State or Province Code	O ID 2/2	N	State of customer address
116	Postal Code	O ID 3/11	N	ZIP code of customer address
26	Country Code	O ID 2/3	N	Country of customer address
309	Location Qualifier	C ID 1/2	C ID 1/2	DE Destination (Shipping)
310	Location Identifier	O AN 1/30	O AN 1/30	customer storage location

Remark:

Field N406 Field holds the value of the so-called storage location in MBEXTRA 's ERP system. The value is specific per combination of scheduling agreement and scheduling agreement item. Please be aware that for example not every scheduling agreement item with number 00100 references storage location PCC2. This is a dynamic value and shall not be hardcoded!

Example:

N4*Vance*AL*354909310*US*DE*PCC2~

No = Consecutive segment number
 MaxOcc = Maximum occurrence of the segment/group
 Counter = Counter of segment/group within the standard

St = Status (M=Mandatory, R=Required, C=Conditional, O=Optional, F=Floating, D=Dependent, A=Advised, S=Situational, X=Not used, N=Not recommended)

3.11 N1 Segment

Counter	No	Tag	St	MaxOcc	Level	Name
	0230	N1	O	200	1	N1-N3-N4
11	0230	N1	M	1	1	Name

Standard			Implementation	
Tag	Name	St Format	St Format	Usage / Remark
N1				
98	Entity Identifier Code	M ID 2/2	M ID 2/2	SE Selling Party
93	Name	C AN 1/35	C AN 1/35	Name of supplier
66	Identification Code Qualifier	C ID 1/2	C ID 1/2	92 Assigned by Buyer or Buyer's Agent
67	Identification Code	C AN 2/20	C AN 2/20	Supplier number
706	Entity Relationship Code	O ID 2/2	N	Not used
98	Entity Identifier Code	O ID 2/2	N	Not used

Remark:

N104: This field will hold the partner number (supplier number in the MBEXTRA system) that MBEXTRA assigned for his supplier and hold a 10 digit number. This number has to be printed on each label when the parts are shipped to MBEXTRA .

Example:

N1*SE*INTEVA PRODUCTS LLC*92*015437320B~

No = Consecutive segment number
 MaxOcc = Maximum occurrence of the segment/group
 Counter = Counter of segment/group within the standard

St = Status (M=Mandatory, R=Required, C=Conditional,
 O=Optional, F=Floating, D=Dependent, A=Advised,
 S=Situational, X=Not used, N=Not recommended)

3.12 N3 Segment

Counter	No	Tag	St	MaxOcc	Level	Name
0230		N1	O	200	1	N1-N3-N4
0250	12	N3	O	2	2	Address Information

Standard			Implementation	
Tag	Name	St Format	St Format	Usage / Remark
N3				
166	Address Information	M AN 1/35	M AN 1/35	Street of supplier address
166	Address Information	O AN 1/35	N	Not used

Remark:

Example:

N3*SUITE 3215 75 REMITTANCE DRIVE~

No = Consecutive segment number
 MaxOcc = Maximum occurrence of the segment/group
 Counter = Counter of segment/group within the standard

St = Status (M=Mandatory, R=Required, C=Conditional,
 O=Optional, F=Floating, D=Dependent, A=Advised,
 S=Situational, X=Not used, N=Not recommended)

3.13 N4 Segment

Counter	No	Tag	St	MaxOcc	Level	Name
0230		N1	O	200	1	N1-N3-N4
0260	13	N4	O	1	2	Geographic Location

Standard			Implementation	
Tag	Name	St Format	St Format	Usage / Remark
N4				
19	City Name	O AN 2/30	O AN 2/30	City of supplier address
156	State or Province Code	O ID 2/2	O ID 2/2	State of supplier address
116	Postal Code	O ID 3/11	O ID 3/11	ZIP code of supplier address
26	Country Code	O ID 2/3	O ID 2/3	Country of customer address
309	Location Qualifier	C ID 1/2	N	Not used
310	Location Identifier	O AN 1/30	N	Not used

Remark:

Example:

N4*CHICAGO*IL*606753215*US~

No = Consecutive segment number
 MaxOcc = Maximum occurrence of the segment/group
 Counter = Counter of segment/group within the standard

St = Status (M=Mandatory, R=Required, C=Conditional,
 O=Optional, F=Floating, D=Dependent, A=Advised,
 S=Situational, X=Not used, N=Not recommended)

3.14 LIN Segment

Counter	No	Tag	St	MaxOcc	Level	Name
0010		LIN	M	>1	1	LIN-UIT-PID-PKG-PO4-REF-FST-SHP
0010	14	LIN	M	1	1	Item Identification

Standard			Implementation	
Tag	Name	St Format	St Format	Usage / Remark
LIN				
350	Assigned Identification	O AN 1/11	O AN 1/6	Scheduling agreement item
235	Product/Service ID Qualifier	M ID 2/2	M ID 2/2	BP Buyer's Part Number
234	Product/Service ID	M AN 1/40	M AN 1/22	Customer part no.
235	Product/Service ID Qualifier	C ID 2/2	C ID 2/2	PO Purchase Order Number
234	Product/Service ID	C AN 1/40	C AN 1/10	Scheduling agreement number (equal to BFR11)
235	Product/Service ID Qualifier	C ID 2/2	C ID 2/2	RN Release Number
234	Product/Service ID	C AN 1/40	C AN 1/40	Customer number for forecast (running number) (equal to BFR03)
235	Product/Service ID Qualifier	C ID 2/2	C ID 2/2	RC Returnable Container No.
234	Product/Service ID	C AN 1/40	C AN 1/40	Customer packaging material no.
235	Product/Service ID Qualifier	C ID 2/2	N	Not used
234	Product/Service ID	C AN 1/40	N	Not used

Remark:

- Field LIN01 This field should hold the scheduling agreement item number and has to be referenced together with the scheduling agreement number (from LIN05) in the 856 transmission in LIN-PRF05. A material release is issued per combination of scheduling agreement and scheduling agreement item. Each supplier can receive several separate material releases for the same part number but for different scheduling agreement items. Each item references a different storage location (N1-N406) and dock code/unloading point (LIN-REF02).
→ Information item number, storage location and dock code are dynamic and shall not be hardcoded!
- Field LIN03 This field holds the MBEXTRA part number that has to be referenced in the 856 transmission in field LIN03 and printed human readable and barcoded with qualifier P on each Single and Master label when the parts are shipped to MBEXTRA .
→ please see also 4.2 Format of MBEXTRA part number from LIN03

Example:

LIN*00100*BP*A1665050461*PO*5500061079*RN*73*RC*T55010~

No = Consecutive segment number
 MaxOcc = Maximum occurrence of the segment/group
 Counter = Counter of segment/group within the standard

St = Status (M=Mandatory, R=Required, C=Conditional, O=Optional, F=Floating, D=Dependent, A=Advised, S=Situational, X=Not used, N=Not recommended)

3.15 UIT Segment

Counter	No	Tag	St	MaxOcc	Level	Name
0010		LIN	M	>1	1	LIN-UIT-PID-PKG-PO4-REF-FST-SHP
0020	15	UIT	O	1	2	Unit Detail

Standard			Implementation	
Tag	Name	St Format	St Format	Usage / Remark
UIT				
C001	Composite Unit of Measure	M	M	
355	Unit or Basis for Measurement Code	M ID 2/2	M ID 2/2	Customer quantity unit

Remark:

Field UIT02 This field holds the allowable Units of Measure and Codes for an ANSI X12 transmission. This code shall be transmitted back in each SN103 field.

Link with allowed unit of measure codes: http://das.ct.gov/Purchase/Info/ANSI_UNITS_OF_MEASURE.pdf

Example:

UIT*EA~

No = Consecutive segment number
 MaxOcc = Maximum occurrence of the segment/group
 Counter = Counter of segment/group within the standard

St = Status (M=Mandatory, R=Required, C=Conditional, O=Optional, F=Floating, D=Dependent, A=Advised, S=Situational, X=Not used, N=Not recommended)

3.16 PID Segment

Counter	No	Tag	St	MaxOcc	Level	Name
0010		LIN	M	>1	1	LIN-UIT-PID-PKG-PO4-REF-FST-SHP
0080	16	PID	O	1000	2	Product/Item Description

Standard			Implementation	
Tag	Name	St Format	St Format	Usage / Remark
PID				
349	Item Description Type	M ID 1/1	M ID 1/1	F Free-form
750	Product/Process Characteristic Code	O ID 2/3	N	Not used
559	Agency Qualifier Code	C ID 2/2	N	Not used
751	Product Description Code	C AN 1/12	N	Not used
352	Description	C AN 1/80	C AN 1/80	Material description
752	Surface/Layer/Position Code	O ID 2/2	N	Not used
822	Source Subqualifier	O AN 1/15	N	Not used
1073	Yes/No Condition or Response Code	O ID 1/1	N	Not used

Remark:

PID05 This field contains the material short text that should be printed on each Single and Master Label when this part is shipped to MBEXTRA .

Example:

PID*F****AIR DUCT LH / FLANSCH / MOLA-KUEHLSCHLAU~

No = Consecutive segment number
 MaxOcc = Maximum occurrence of the segment/group
 Counter = Counter of segment/group within the standard

St = Status (M=Mandatory, R=Required, C=Conditional, O=Optional, F=Floating, D=Dependent, A=Advised, S=Situational, X=Not used, N=Not recommended)

3.17 PKG Segment

Counter	No	Tag	St	MaxOcc	Level	Name
0010		LIN	M	>1	1	LIN-UIT-PID-PKG-PO4-REF-FST-SHP
0110	17	PKG	O	25	2	Marking, Packaging, Loading

Standard			Implementation	
Tag	Name	St Format	St Format	Usage / Remark
PKG				
349	Item Description Type	C ID 1/1	C ID 1/1	F Free-form
753	Packaging Characteristic Code	O ID 1/5	O ID 1/5	35 Type of Package
559	Agency Qualifier Code	C ID 2/2	N	Not used
754	Packaging Description Code	C AN 1/7	N	Not used
352	Description	C AN 1/80	C AN 1/80	Packaging material description
400	Unit Load Option Code	C ID 2/2	N	Not used

Remark:

PKG05 The field holds the material description of the packaging material that shall be used when the parts are shipped.

Example:

PKG*F*35***Standard Returnable Hand Held Tote~

No = Consecutive segment number
 MaxOcc = Maximum occurrence of the segment/group
 Counter = Counter of segment/group within the standard

St = Status (M=Mandatory, R=Required, C=Conditional,
 O=Optional, F=Floating, D=Dependent, A=Advised,
 S=Situational, X=Not used, N=Not recommended)

3.18 PO4 Segment

Counter	No	Tag	St	MaxOcc	Level	Name
0010		LIN	M	>1	1	LIN-UIT-PID-PKG-PO4-REF-FST-SHP
0120	18	PO4	O	1	2	Item Physical Details

Standard			Implementation	
Tag	Name	St Format	St Format	Usage / Remark
PO4				
356	Pack	O N0 1/6	N	Not used
357	Size	C R 1/8	C R 1/8	Capacity
355	Unit or Basis for Measurement Code	C ID 2/2	C ID 2/2	EA Each Unit of Measure of packaged goods

Remark:

PO402 This field holds the number of parts per packaging material according to the packaging instruction.

Example:

PO4**90*EA~

No = Consecutive segment number
 MaxOcc = Maximum occurrence of the segment/group
 Counter = Counter of segment/group within the standard

St = Status (M=Mandatory, R=Required, C=Conditional, O=Optional, F=Floating, D=Dependent, A=Advised, S=Situational, X=Not used, N=Not recommended)

3.19 REF Segment

Counter	No	Tag	St	MaxOcc	Level	Name
0010		LIN	M	>1	1	LIN-UIT-PID-PKG-PO4-REF-FST-SHP
0140	19	REF	O	12	2	Reference Numbers

Standard			Implementation	
Tag	Name	St Format	St Format	Usage / Remark
REF				
128	Reference Number Qualifier	M ID 2/2	M ID 2/2	DK Dock Number
127	Reference Number	C AN 1/30	C AN 1/5	Unloading point
352	Description	C AN 1/80	N	Not used

Remark:

REF02 This field contains the unloading point/receiving dock. Each 856 transmission shall send a separate 856 message per unloading point (split criteria for delivery note)

Example:

REF*DK*W1H1~

No = Consecutive segment number
 MaxOcc = Maximum occurrence of the segment/group
 Counter = Counter of segment/group within the standard

St = Status (M=Mandatory, R=Required, C=Conditional, O=Optional, F=Floating, D=Dependent, A=Advised, S=Situational, X=Not used, N=Not recommended)

3.20 FST Segment

Counter	No	Tag	St	MaxOcc	Level	Name
0410		FST	O	>1	2	FST
0410	20	FST	M	1	2	Forecast Schedule

Standard			Implementation	
Tag	Name	St Format	St Format	Usage / Remark
FST				
380	Quantity	M R 1/15	M R 1/15	Scheduled quantity
680	Forecast Qualifier	M ID 1/1	M ID 1/1	A Past Due immediate D Planning Z Backlog
681	Forecast Timing Qualifier	M ID 1/1	M ID 1/1	D Discrete F Interval with start to end date M Monthly Bucket (Calendar Months) W Weekly Bucket (Monday through Sunday)
373	Date	M DT 6/6	M DT 6/6	Scheduled date from
373	Date	O DT 6/6	O DT 6/6	Scheduled date to
374	Date/Time Qualifier	C ID 3/3	C ID 3/3	002 Delivery Requested
337	Time	C TM 4/8	C TM 4/8	Scheduled time (not used)
128	Reference Number Qualifier	C ID 2/2	N	Not used
127	Reference Number	C AN 1/30	N	Not used
783	Planning Schedule Type Code	O ID 2/2	N	Not used

Remark:

- Field FST01 Quantities sent in the release are Discrete quantities (indicated by FST03). The release only holds the current cumulative quantity received in segment SHP.
- Field FST02 If backlog exists the first FST segment in the transmission will have a qualifier Z. The backlog includes quantities in transit that did not reach MBEXTRA 's plant yet. The quantities will be part of the cumulative quantity received once the trailers are set in yard/passed the gate at MBEXTRA .
- Field FST03 If the Qualifier F is transmitted the content the segments the subtotal of open quantities inside the given horizon. There will be one segment created for the production go-ahead quantity and a second one for the material go-ahead quantity.

Example:

```
FST*90*Z*D*150608*150608~
FST*90*D*D*150612*150612~
FST*90*D*D*150622*150622~
FST*90*D*D*150623*150623~
FST*180*D*F*150607*150614~
FST*0*D*F*150615*150621~
```

No = Consecutive segment number
 MaxOcc = Maximum occurrence of the segment/group
 Counter = Counter of segment/group within the standard

St = Status (M=Mandatory, R=Required, C=Conditional,
 O=Optional, F=Floating, D=Dependent, A=Advised,
 S=Situational, X=Not used, N=Not recommended)

3.21 SHP Segment

Counter	No	Tag	St	MaxOcc	Level	Name
0470		SHP	O	25	2	SHP-REF
0470	21	SHP	M	1	2	Shipped/Received Information

Standard			Implementation	
Tag	Name	St Format	St Format	Usage / Remark
SHP				
673	Quantity Qualifier	O ID 2/2	O ID 2/2	01 Discrete Quantity
380	Quantity	C R 1/15	C R 1/15	Delivery quantity
374	Date/Time Qualifier	C ID 3/3	C ID 3/3	050 Received
373	Date	C DT 6/6	C DT 6/6	Delivery date in format YYMMDD
337	Time	C TM 4/8	N	Not used
373	Date	O DT 6/6	N	Not used
337	Time	O TM 4/8	N	Not used

Remark:

This segment in combination with the subsequent REF segment contains data referencing the last delivery note posted goods receipt against this scheduling agreement item

SHP02 total quantity on last delivery note received against this scheduling agreement and scheduling agreement item

Example:

SHP*01*90*050*150605~

No = Consecutive segment number
 MaxOcc = Maximum occurrence of the segment/group
 Counter = Counter of segment/group within the standard

St = Status (M=Mandatory, R=Required, C=Conditional,
 O=Optional, F=Floating, D=Dependent, A=Advised,
 S=Situational, X=Not used, N=Not recommended)

3.22 REF Segment

Counter	No	Tag	St	MaxOcc	Level	Name
0470		SHP	O	25	2	SHP-REF
0480	22	REF	O	5	3	Reference Numbers

Standard			Implementation	
Tag	Name	St Format	St Format	Usage / Remark
REF				
128	Reference Number Qualifier	M ID 2/2	M ID 2/2	SI Shipper's Identifying Number for Shipment (SID)
127	Reference Number	C AN 1/30	C AN 1/10	Delivery note no.
352	Description	C AN 1/80	N	Not used

Remark:

REF02 Delivery note number of last delivery arrived against this scheduling agreement item. Delivery note will be transmitted in as reference in 820 transmissions.

Example:

REF*SI*GAD21042~

No = Consecutive segment number
 MaxOcc = Maximum occurrence of the segment/group
 Counter = Counter of segment/group within the standard

St = Status (M=Mandatory, R=Required, C=Conditional, O=Optional, F=Floating, D=Dependent, A=Advised, S=Situational, X=Not used, N=Not recommended)

3.23 SHP Segment

Counter	No	Tag	St	MaxOcc	Level	Name
0470		SHP	O	25	2	SHP
0470	25	SHP	M	1	2	Shipped/Received Information

Standard			Implementation	
Tag	Name	St Format	St Format	Usage / Remark
SHP				
673	Quantity Qualifier	O ID 2/2	O ID 2/2	02 Cumulative Quantity
380	Quantity	C R 1/15	C R 1/15	Current cumulative quantity received
374	Date/Time Qualifier	C ID 3/3	C ID 3/3	051 Cumulative Quantity Start
373	Date	C DT 6/6	C DT 6/6	Reconciliation Date for Agreed Cumulative Quantity
337	Time	C TM 4/8	N	Not used
373	Date	O DT 6/6	O DT 6/6	Date of the previous delivery schedule
337	Time	O TM 4/8	N	Not used

Remark:

Segment SHP and subsequent REF segment where SHP01 = 02 and SHP03 = 051 contains the cumulated received quantity (all quantities received by MBEXTRA against this scheduling agreement item).

- SHP02 The current cumulative quantity received is transmitted in this field. The quantity includes all parts received in yard and posted Goods receipt against this scheduling agreement and scheduling agreement item. The quantity in transit is **not** included in this figure.
- SHP04 The date transmitted in this field contains the date when the cumulative quantity was set the last time. If the value is "000000" the cumulative quantity has not been reset until now.
- SHP05 The date transmitted in this field contains the date when the last material release was created in reference to this scheduling agreement and scheduling agreement item.

Example:

SHP*02*30978*051*150101**150601~

No = Consecutive segment number
 MaxOcc = Maximum occurrence of the segment/group
 Counter = Counter of segment/group within the standard

St = Status (M=Mandatory, R=Required, C=Conditional, O=Optional, F=Floating, D=Dependent, A=Advised, S=Situational, X=Not used, N=Not recommended)

3.24 CTT Segment

Counter	No	Tag	St	MaxOcc	Level	Name
0010	26	CTT	O	1	0	Transaction Totals

Standard			Implementation	
Tag	Name	St Format	St Format	Usage / Remark
CTT				
354	Number of Line Items	M N0 1/6	M N0 1/6	
347	Hash Total	O R 1/10	N	Not used
81	Weight	C R 1/10	N	Not used
355	Unit or Basis for Measurement Code	C ID 2/2	N	Not used
183	Volume	C R 1/8	N	Not used
355	Unit or Basis for Measurement Code	C ID 2/2	N	Not used
352	Description	O AN 1/80	N	Not used

Remark:

Example:

CTT*1~SE*76~

No = Consecutive segment number
 MaxOcc = Maximum occurrence of the segment/group
 Counter = Counter of segment/group within the standard

St = Status (M=Mandatory, R=Required, C=Conditional,
 O=Optional, F=Floating, D=Dependent, A=Advised,
 S=Situational, X=Not used, N=Not recommended)

3.25 SE Segment

Counter	No	Tag	St	MaxOcc	Level	Name
0020	27	SE	M	1	0	Transaction Set Trailer

Standard			Implementation	
Tag	Name	St Format	St Format	Usage / Remark
SE				
96	Number of Included Segments	M N0 1/10	M N0 1/10	
329	Transaction Set Control Number	M AN 4/9	M AN 4/9	

Remark:

Example:

SE*25*119492~

No = Consecutive segment number
 MaxOcc = Maximum occurrence of the segment/group
 Counter = Counter of segment/group within the standard

St = Status (M=Mandatory, R=Required, C=Conditional,
 O=Optional, F=Floating, D=Dependent, A=Advised,
 S=Situational, X=Not used, N=Not recommended)

3.26 GE Segment

Counter	No	Tag	St	MaxOcc	Level	Name
0000	28	GE	C	1	0	Functional Group Trailer

Standard			Implementation	
Tag	Name	St Format	St Format	Usage / Remark
GE				
97	Number of Transaction Sets Included	M NO 1/6	M NO 1/6	
28	Group Control Number	M NO 1/9	M NO 1/9	

Remark:

Example:

GE*1*1751~

No = Consecutive segment number
 MaxOcc = Maximum occurrence of the segment/group
 Counter = Counter of segment/group within the standard

St = Status (M=Mandatory, R=Required, C=Conditional,
 O=Optional, F=Floating, D=Dependent, A=Advised,
 S=Situational, X=Not used, N=Not recommended)

3.27 IEA Segment

Counter	No	Tag	St	MaxOcc	Level	Name
0000	29	IEA	M	1	0	Interchange Control Trailer

Standard			Implementation	
Tag	Name	St Format	St Format	Usage / Remark
IEA				
I16	Number of Included Functional Groups	M N0 1/5	M N0 1/5	
I12	Interchange Control Number	M N0 9/9	M N0 9/9	

Remark:

Example:

IEA*1*000000396~

No = Consecutive segment number
 MaxOcc = Maximum occurrence of the segment/group
 Counter = Counter of segment/group within the standard

St = Status (M=Mandatory, R=Required, C=Conditional,
 O=Optional, F=Floating, D=Dependent, A=Advised,
 S=Situational, X=Not used, N=Not recommended)

4 Appendix

4.1 General information

830 transmissions for MBEXTRA direct materials will have only one scheduling agreement item (LIN segment) per BRF segment.

4.2 Format of MBEXTRA part number from LIN03

The MBEXTRA part number is specified in the material release.

Valid MBEXTRA part numbers generally consist of a letter ("A", "B", "H", "Z" or "T" (for new containers)) and 8-11 numbers.

No blank spaces or special characters

Exceptions: part numbers with supplementary codes ES1 and ES2

Example 1: Daimler part number without supplementary code

Character	1	2	3	4	5	6	7	8	9	10	11	12	13	14	15	16	17	18	19	20	21	22
Customer Part number																						
Entry																						
Daimler Part number	A	1	2	4	4	0	1	1	2	6	1											

Example 2: Daimler part number for "colored" parts with indicator letter A and supplementary code (ES1), ES2

Character	1	2	3	4	5	6	7	8	9	10	11	12	13	14	15	16	17	18	19	20	21	22
Customer Part number																						
Entry																						
Daimler Part number	A	1	2	4	4	0	1	1	2	6	1							9	0	5	1	

4.3 Segment FST

A	Past Due immediate
D	Planning
Z	Backlog

Dates may be expressed as days, weeks or months. A day specified for call-off quantities refers to the date for arrival of the shipment at the orderer's premises. Special forms for dates are "backlog" (qualifier Z) [Rückstand] and "immediate requirement" (qualifier A) [Sofortbedarf].

A **backlog** is the **positive difference** between the cumulative quantities as of the date of this material release minus the cumulative received quantity. The releases' cumulative quantity as of the material release date is always taken as the smaller of the values from the mathematical comparison between the old and new release cumulative quantities.

An **immediate requirement** is generally only indicated if the release cumulative quantity/new is higher than the release cumulative quantity/old on the material release date.

The immediate requirement is then the positive difference between the release cumulative quantity/new and the sum total of the cumulative received quantity and the backlog.

Also added to the immediate requirement may be further call-off quantities whose arrival date falls within an "immediate requirement period" set at the orderer's discretion.

Negative values for backlog and immediate requirement are not shown, but instead netted off against other requirement quantities until such time as the balance is again positive. This positive remainder then forms the first dated release quantity of the present material release.

FST segments for backlog and immediate requirements are to be interpreted as quantities still to be delivered unless your calculation of in transit material shows that enough parts are on the way to MBEXTRA .

Shipments not posted in yard are not part of the cumulative quantity received

4.4 Segment SHP

Cumulative quantity received

Cumulative quantity that has been met by all deliveries posted by the ordering party from a date (e.g. 1.Jan of the current year) up to the specified material release creation date and time. The release cumulative quantity is formed on the basis of the cumulative received quantity by ongoing accumulation of the release quantities.

4.5 Example message

ISA*00* *00* *ZZ*DAI_GSSPLUS_P *01*117940473
*150607*1509*U*00200*000000396*0*P*>~
GS*PS*18802587*117940473*150607*1509*396*X*004010 ~
ST*830*299728~
BFR*05**73*DL*A*150601*151130*150607***5500061079~
PER*OD*Guadalupe Polo*IT*507-3560~
TD5****J~
MAN*DZ*NONE~
N1*SE*INTEVA PRODUCTS LLC*92*117940473~
N3*SUITE 3215 75 REMITTANCE DRIVE~
N4*CHICAGO*IL*606753215*US~
N1*ST*MBEXTRA Hub*92*US02~
N4*Vance*AL*354909310*US*DE*PCC2~
LIN*00100*BP*A1665050461*PO*5500061079*RN*73*RC*T55010~
UIT*EA~
PID*F****AIR DUCT LH / FLANSCH / MOLA-KUEHLSCHLAU~
PKG*F*35***Standard Returnable Hand Held Tote~
PO4**90*EA~
REF*DK*W1H1~
FST*90*Z*D*150607*150607~
FST*90*D*D*150608*150608~
FST*90*D*D*150612*150612~
FST*90*D*D*150622*150622~
FST*90*D*D*150623*150623~
FST*90*D*D*150625*150625~
FST*90*D*D*150626*150626~
FST*0*D*D*150629*150629~
FST*90*D*D*150630*150630~
FST*90*D*D*150701*150701~
FST*90*D*D*150706*150706~
FST*90*D*D*150707*150707~
FST*90*D*D*150708*150708~
FST*90*D*D*150709*150709~
FST*0*D*D*150710*150710~
FST*90*D*D*150713*150713~
FST*90*D*D*150714*150714~
FST*0*D*D*150715*150715~
FST*90*D*D*150716*150716~
FST*90*D*D*150717*150717~
FST*0*D*D*150720*150720~
FST*90*D*D*150721*150721~
FST*90*D*D*150722*150722~
FST*90*D*D*150723*150723~
FST*0*D*D*150724*150724~
FST*90*D*D*150727*150727~
FST*90*D*D*150728*150728~
FST*90*D*D*150729*150729~
FST*90*D*D*150730*150730~
FST*90*D*D*150731*150731~

FST*90*D*D*150803*150803~
FST*90*D*D*150804*150804~
FST*90*D*D*150805*150805~
FST*90*D*D*150806*150806~
FST*0*D*D*150807*150807~
FST*90*D*D*150810*150810~
FST*90*D*D*150811*150811~
FST*90*D*D*150812*150812~
FST*90*D*D*150813*150813~
FST*90*D*D*150814*150814~
FST*90*D*D*150817*150817~
FST*90*D*D*150818*150818~
FST*90*D*D*150819*150819~
FST*90*D*D*150820*150820~
FST*90*D*D*150821*150821~
FST*90*D*D*150824*150824~
FST*90*D*D*150825*150825~
FST*90*D*D*150826*150826~
FST*90*D*D*150827*150827~
FST*90*D*D*150828*150828~
FST*90*D*D*150831*150831~
FST*1890*D*M*150901*150930~
FST*1980*D*M*151001*151031~
FST*1710*D*M*151101*151130~
FST*0*D*M*151201*151231~
FST*0*D*M*160101*160131~
FST*270*D*F*150607*150614~
FST*0*D*F*150615*150621~
SHP*01*90*050*150605~
REF*SI*GAD21042~
SHP*02*30978*051*000000**150601~
CTT*1~
SE*80~
GE*1*396~
IEA*1*000000396~
