

Message Implementation Guideline

CCUSA_003050_830

Based on

830

Planning Schedule with Release Capability

X12 003050

Version 1.2: September 26, 2018

Change History

	Date	Chapter	Description
1.0	12-Apr-2018	All	Document created
1.1	25-Jun-2018	3.2 GS Segment	Application Sender's Code added
		4.3 Examples	Application Sender's Code added
1.2	26-Sep-2018	3.2 GS Segment	Correction for Application Sender's Code prefix "D"

1 Contents

Change History	2
1 Structure / Table of Contents	4
2 Branching Diagram of Used Segments/Groups	5
3 Segments	10
3.1 ISA Segment	10
3.2 GS Segment	11
3.3 ST Segment	12
3.4 BFR Segment	13
3.5 NTE Segment	14
3.6 PER Segment	15
3.7 TD5 Segment	16
3.8 MAN Segment	17
3.9 N1 Segment	18
3.10 N4 Segment	19
3.11 N1 Segment	20
3.12 N3 Segment	21
3.13 N4 Segment	22
3.14 LIN Segment	23
3.15 UIT Segment	24
3.16 PID Segment	25
3.17 REF Segment	26
3.18 FST Segment	27
3.19 SHP Segment	28
3.20 REF Segment	29
3.21 SHP Segment	30
3.22 CTT Segment	31
3.23 SE Segment	32
3.24 GE Segment	33
3.25 IEA Segment	34
4 Appendix	35
4.1 General information	35
4.2 Format of customers part number from LIN03	35
4.3 Example message	36

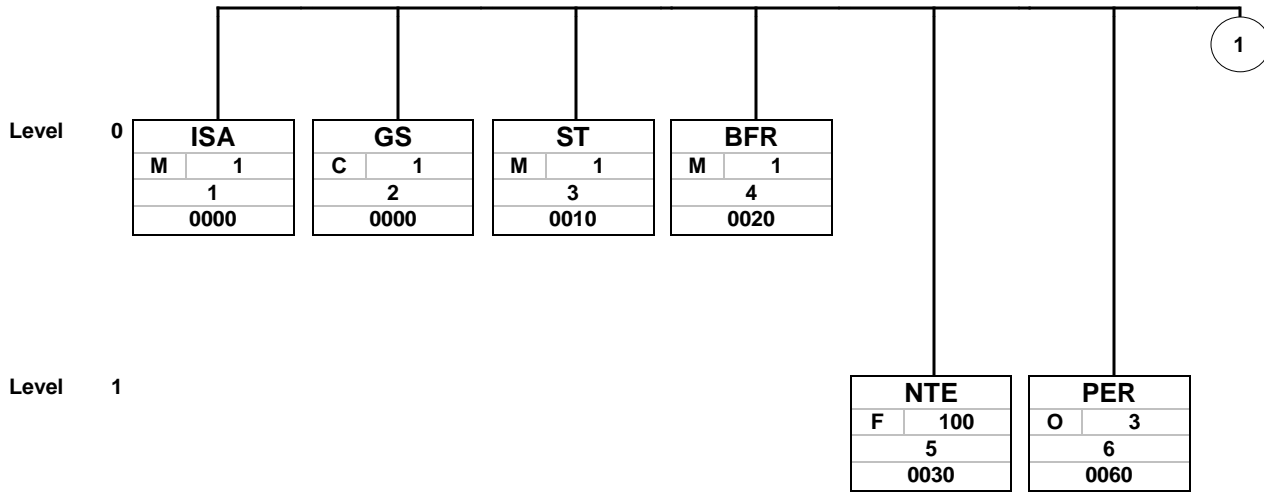
1 Structure / Table of Contents

Counter	No	Tag	St	MaxOcc	Level	Content
0000	1	ISA	M	1	0	Interchange Control Header
0000	2	GS	C	1	0	Functional Group Header
0010	3	ST	M	1	0	Transaction Set Header
0020	4	BFR	M	1	0	Beginning Segment for Planning Schedule
0030	5	NTE	F	100	1	Note/Special Instruction
0060	6	PER	O	3	1	Administrative Communications Contact
0190	7	TD5	O	12	1	Carrier Details (Routing Sequence/Transit Time)
0220	8	MAN	O	10	1	Marks and Numbers
0230		N1	O	200	1	N1-N4
0230	9	N1	M	1	1	Name
0260	10	N4	O	1	2	Geographic Location
0230		N1	O	200	1	N1-N3-N4
0230	11	N1	M	1	1	Name
0250	12	N3	O	2	2	Address Information
0260	13	N4	O	1	2	Geographic Location
0010		LIN	M	>1	1	LIN-UIT-PID-PKG-PO4-REF-FST-SHP-SHP-SHP
0010	14	LIN	M	1	1	Item Identification
0020	15	UIT	O	1	2	Unit Detail
0080	16	PID	O	1000	2	Product/Item Description
0110	17	PKG	O	25	2	Marking, Packaging, Loading
0120	18	PO4	O	1	2	Item Physical Details
0140	19	REF	O	12	2	Reference Numbers
0410		FST	O	>1	2	FST
0410	20	FST	M	1	2	Forecast Schedule
0470		SHP	O	25	2	SHP-REF
0470	21	SHP	M	1	2	Shipped/Received Information
0480	22	REF	O	5	3	Reference Numbers
0470		SHP	O	25	2	SHP
0470	23	SHP	M	1	2	Shipped/Received Information
0010	24	CTT	O	1	0	Transaction Totals
0020	25	SE	M	1	0	Transaction Set Trailer
0000	26	GE	C	1	0	Functional Group Trailer
0000	27	IEA	M	1	0	Interchange Control Trailer

No = Consecutive segment number
 MaxOcc = Maximum occurrence of the segment/group
 Counter = Counter of segment/group within the standard

St = Status (M=Mandatory, R=Required, C=Conditional,
 O=Optional, F=Floating, D=Dependent, A=Advised,
 S=Situational, X=Not used, N=Not recommended)

2 Branching Diagram of Used Segments/Groups



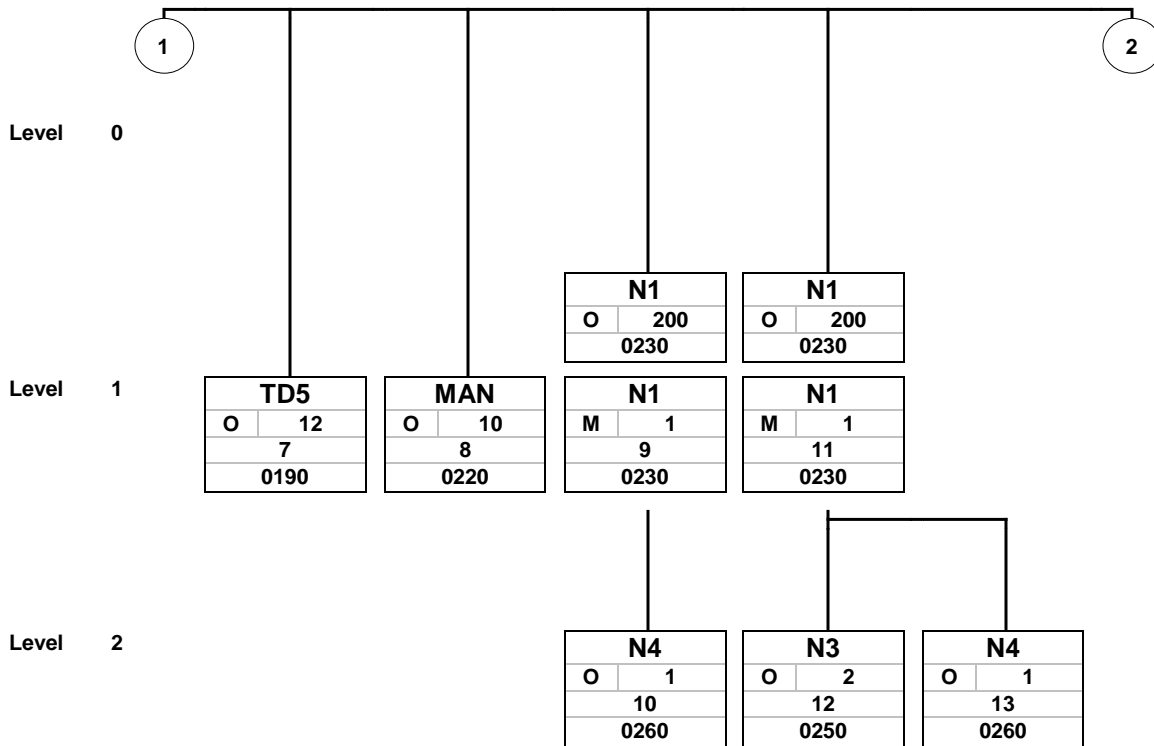
Tag
St MaxOcc
No
Counter

Tag = Segment/Group Tag

St = Status (M=Mandatory, R=Required, C=Conditional, O=Optional, F=Floating, D=Dependent, A=Advised, S=Situational, X=Not used, N=Not recommended)

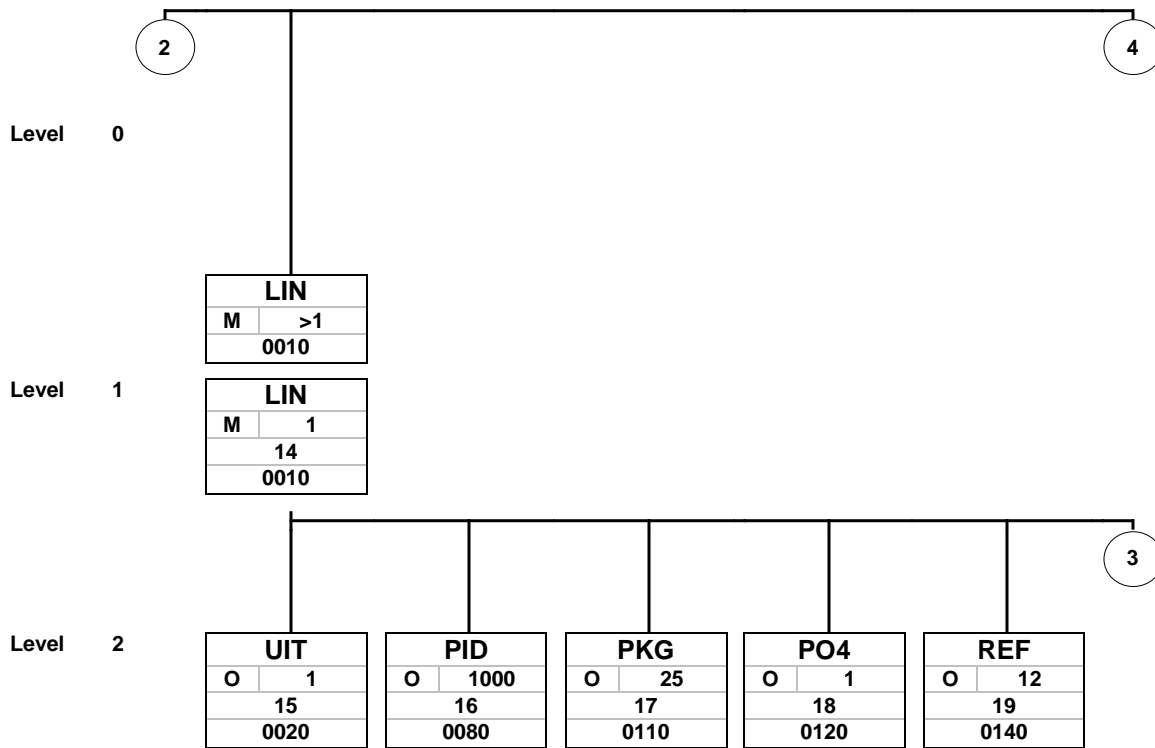
MaxOcc = Maximum occurrence of the segment/group

No = Consecutive segment number, Counter = Counter of segment/group within the standard



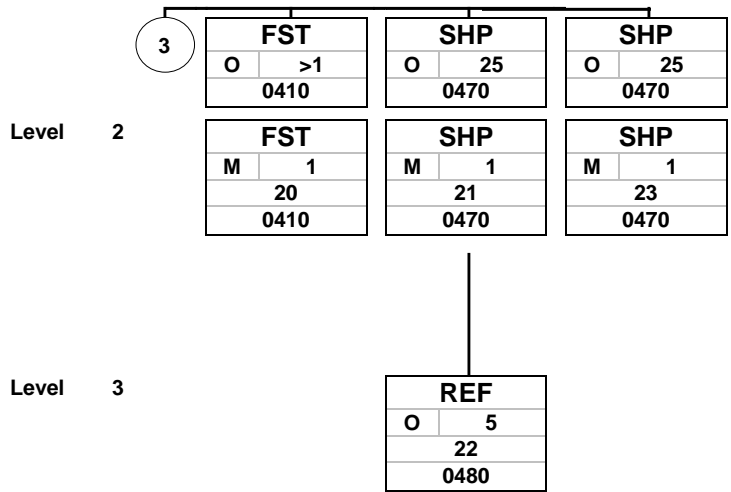
Tag
St MaxOcc
No
Counter

Tag = Segment/Group Tag
 St = Status (M=Mandatory, R=Required, C=Conditional, O=Optional, F=Floating, D=Dependent, A=Advised, S=Situational, X=Not used, N=Not recommended)
 MaxOcc = Maximum occurrence of the segment/group
 No = Consecutive segment number, Counter = Counter of segment/group within the standard



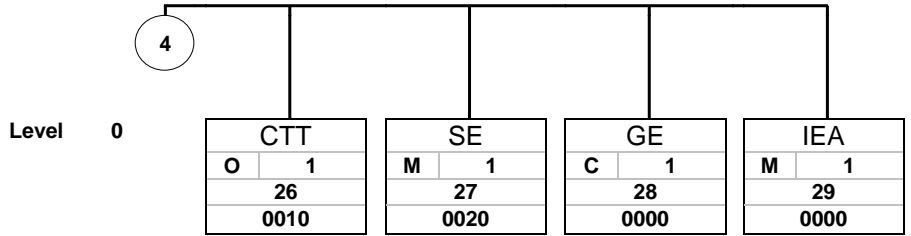
Tag
St MaxOcc
No
Counter

Tag = Segment/Group Tag
 St = Status (M=Mandatory, R=Required, C=Conditional, O=Optional, F=Floating, D=Dependent, A=Advised, S=Situational, X=Not used, N=Not recommended)
 MaxOcc = Maximum occurrence of the segment/group
 No = Consecutive segment number, Counter = Counter of segment/group within the standard



Tag
St MaxOcc
No
Counter

Tag = Segment/Group Tag
 St = Status (M=Mandatory, R=Required, C=Conditional, O=Optional, F=Floating, D=Dependent, A=Advised, S=Situational, X=Not used, N=Not recommended)
 MaxOcc = Maximum occurrence of the segment/group
 No = Consecutive segment number, Counter = Counter of segment/group within the standard



Tag
St MaxOcc
No
Counter

Tag = Segment/Group Tag

St = Status (M=Mandatory, R=Required, C=Conditional, O=Optional, F=Floating, D=Dependent, A=Advised, S=Situational, X=Not used, N=Not recommended)

MaxOcc = Maximum occurrence of the segment/group

No = Consecutive segment number, Counter = Counter of segment/group within the standard

3 Segments

3.1 ISA Segment

Counter	No	Tag	St	MaxOcc	Level	Name
0000	1	ISA	M	1	0	Interchange Control Header

		Standard	Implementation	
Tag	Name	St Format	St Format	Usage / Remark
ISA				
I01	Authorization Information Qualifier	M ID 2/2	M ID 2/2	00 No Authorization Information Present (No Meaningful Information in I02)
I02	Authorization Information	M AN 10/10	M AN 10/10	
I03	Security Information Qualifier	M ID 2/2	M ID 2/2	00 No Security Information Present (No Meaningful Information in I04)
I04	Security Information	M AN 10/10	M AN 10/10	
I05	Interchange ID Qualifier	M ID 2/2	M ID 2/2	ZZ- Mutually Defined
I06	Interchange Sender ID	M AN 15/15	M AN 15/15	Test: DAI_GSSPLUS_T Production: DAI_GSSPLUS_P
I05	Interchange ID Qualifier	M ID 2/2	M ID 2/2	Supplier will provide their 2 digit qualifier ID.
I07	Interchange Receiver ID	M AN 15/15	M AN 15/15	Supplier will provide their Interchange Receiver ID
I08	Interchange Date	M DT 6/6	M DT 6/6	The date is in year month day (YYDDMM) format
I09	Interchange Time	M TM 4/4	M TM 4/4	The local time the ISA was created, it is in HHMM format and the valid ranges are 0000 to 2359
I10	Interchange Control Standards Identifier	M ID 1/1	M ID 1/1	U (U.S. EDI Community of ASC X12, TDCC, and UCS)
I11	Interchange Control Version Number	M ID 5/5	M ID 5/5	00200 (Standard Issued as ANSI X12.5-1987)
I12	Interchange Control Number	M NO 9/9	M NO 9/9	
I13	Acknowledgment Requested	M ID 1/1	M ID 1/1	0 No Acknowledgment Requested
I14	Test Indicator	M ID 1/1	M ID 1/1	Definition: T-Test, P-Production
I15	Component Element Separator	M AN 1/1	M AN 1/1	Sub Element Separator

Remarks:

Example:

ISA*00* *00* *ZZ*DAI_GSSPLUS_T *01*123456789 *180307*2103*U*00200*00000004*0*T*>~

No = Consecutive segment number
 MaxOcc = Maximum occurrence of the segment/group
 Counter = Counter of segment/group within the standard

St = Status (M=Mandatory, R=Required, C=Conditional, O=Optional, F=Floating, D=Dependent, A=Advised, S=Situational, X=Not used, N=Not recommended)

3.2 GS Segment

Counter	No	Tag	St	MaxOcc	Level	Name
---------	----	-----	----	--------	-------	------

0000	2	GS	C	1	0	Functional Group Header
------	---	-----------	---	---	---	-------------------------

Standard			Implementation		
Tag	Name	St Format	St Format	Usage / Remark	
GS					
479	Functional Identifier Code	M ID 2/2	M ID 2/2	PS	
142	Application Sender's Code	M AN 2/15	M AN 2/15	Planning Schedule with Release Capability (830)	
124	Application Receiver's Code	M AN 2/15	M AN 2/15	12803193D	
373	Date	M DT 6/6	M DT 6/6	Supplier number without preceding zeros	
337	Time	M TM 4/8	M TM 4/8		
28	Group Control Number	M NO 1/9	M NO 1/9		
455	Responsible Agency Code	M ID 1/2	M ID 1/2	X Accredited Standards Committee X12	
480	Version / Release / Industry Identifier Code	M AN 1/12	M AN 1/12	003050	
				(Draft Standards Approved for Publication by ASC X12 Procedures Review Board through October 1994)	

Remarks:

Field GS03 SUPPLIER - is your supplier number as defined by MBUSI

Example:

GS*PS*12803193D*SUPPLIER*180307*2103*4*X*003050~

No = Consecutive segment number
 MaxOcc = Maximum occurrence of the segment/group
 Counter = Counter of segment/group within the standard

St = Status (M=Mandatory, R=Required, C=Conditional,
 O=Optional, F=Floating, D=Dependent, A=Advised,
 S=Situational, X=Not used, N=Not recommended)

3.4 BFR Segment

Counter	No	Tag	St	MaxOcc	Level	Name
---------	----	-----	----	--------	-------	------

0020 4 **BFR** M 1 0 Beginning Segment for Planning Schedule

Standard			Implementation	
Tag	Name	St Format	St Format	Usage / Remark
BFR				
353	Transaction Set Purpose Code	M ID 2/2	M ID 2/2	05 (Replace)
127	Reference Number	C AN 1/30	N	Not used
328	Release Number	C AN 1/30	C AN 1/30	Number for forecast (running number)
675	Schedule Type Qualifier	M ID 2/2	M ID 2/2	DL (Delivery Based)
676	Schedule Quantity Qualifier	M ID 1/1	M ID 1/1	A (Actual Discrete Quantities)
373	Date	M DT 6/6	M DT 6/6	Delivery Schedule Date
373	Date	O DT 6/6	O DT 6/6	Delivery schedule valid to date
373	Date	M DT 6/6	M DT 6/6	MBUSI scheduling agreement date
373	Date	O DT 6/6	O DT 6/6	Not used
367	Contract Number	O AN 1/30	N	Not used
324	Purchase Order Number	O AN 1/22	O AN 1/22	Scheduling agreement number
783	Planning Schedule Type Code	O ID 2/2	N	Not used
306	Action Code	O ID 1/2	N	Not used

Remark:

IMPORTANT: The material release is sent for each combination of scheduling agreement number (BFR11) and Scheduling agreement item (LIN01). Both have to be referenced in the 856 ASN message

Field BFR11 This field will be repeated in field LIN07 and has to be referenced in the 856 transmission in field LIN-PRF01.

Example:

BFR*05**3*DL*A*180213*190531*180307***5500000080~

No = Consecutive segment number
 MaxOcc = Maximum occurrence of the segment/group
 Counter = Counter of segment/group within the standard

St = Status (M=Mandatory, R=Required, C=Conditional,
 O=Optional, F=Floating, D=Dependent, A=Advised,
 S=Situational, X=Not used, N=Not recommended)

3.5 NTE Segment

Counter	No	Tag	St	MaxOcc	Level	Name
---------	----	-----	----	--------	-------	------

0030 5 **NTE** F 100 1 **Note/Special Instruction**

Standard			Implementation	
Tag	Name	St Format	St Format	Usage / Remark
NTE				
363	Note Reference Code	O ID 3/3	O ID 3/3	LIN Line Item
352	Description	M AN 1/80	M AN 1/80	Special remarks regarding delivery schedule

Remark:

Example:

NTE*LIN*THIS TEXT CAN HOLD REMARKS OR NOTES REGARDING THIS RELEASE~

No = Consecutive segment number
 MaxOcc = Maximum occurrence of the segment/group
 Counter = Counter of segment/group within the standard

St = Status (M=Mandatory, R=Required, C=Conditional,
 O=Optional, F=Floating, D=Dependent, A=Advised,
 S=Situational, X=Not used, N=Not recommended)

3.6 PER Segment

Counter	No	Tag	St	MaxOcc	Level	Name
---------	----	-----	----	--------	-------	------

0060 6 **PER** O 3 1 **Administrative Communications Contact**

Standard			Implementation	
Tag	Name	St Format	St Format	Usage / Remark
PER				
366	Contact Function Code	M ID 2/2	M ID 2/2	OD Order Department
93	Name	O AN 1/35	O AN 1/35	Internal code and Name of MRP controller
365	Communication Number Qualifier	C ID 2/2	C ID 2/2	IT International Telephone
364	Communication Number	C AN 1/80	C AN 1/80	Phone number of MRP controller
365	Communication Number Qualifier	C ID 2/2	N	Not used
364	Communication Number	C AN 1/80	N	Not used
365	Communication Number Qualifier	C ID 2/2	N	Not used
364	Communication Number	C AN 1/80	N	Not used
443	Contact Inquiry Reference	O AN 1/20	N	Not used

Remark:

Field PER02 Holds MRP code and name of MRP controller responsible for this part.

Field PER04 Phone number of MRP controller (may not hold area code)

Example:

PER*OD*999-Name of MRP*IT*123-1234~

No = Consecutive segment number
 MaxOcc = Maximum occurrence of the segment/group
 Counter = Counter of segment/group within the standard

St = Status (M=Mandatory, R=Required, C=Conditional,
 O=Optional, F=Floating, D=Dependent, A=Advised,
 S=Situational, X=Not used, N=Not recommended)

3.7 TD5 Segment

Counter	No	Tag	St	MaxOcc	Level	Name
---------	----	-----	----	--------	-------	------

0190 7 **TD5** O 12 1 **Carrier Details (Routing Sequence/Transit Time)**

Standard			Implementation	
Tag	Name	St Format	St Format	Usage / Remark
TD5				
133	Routing Sequence Code	O ID 1/2	N	Not used
66	Identification Code Qualifier	C ID 1/2	N	Not used
67	Identification Code	C AN 2/20	N	Not used
91	Transportation Method/Type Code	C ID 1/2	C ID 1/2	A Air H Customer Pickup J Motor R Rail S Ocean
387	Routing	C AN 1/35	N	Not used
368	Shipment/Order Status Code	C ID 2/2	N	Not used
309	Location Qualifier	O ID 1/2	N	Not used
310	Location Identifier	C AN 1/30	N	Not used
731	Transit Direction Code	O ID 2/2	N	Not used
732	Transit Time Direction Qualifier	O ID 2/2	N	Not used
733	Transit Time	C R 1/4	N	Not used
284	Service Level Code	C ID 2/2	N	Not used

Remark:

Example:

TD5****J~

No = Consecutive segment number
 MaxOcc = Maximum occurrence of the segment/group
 Counter = Counter of segment/group within the standard

St = Status (M=Mandatory, R=Required, C=Conditional,
 O=Optional, F=Floating, D=Dependent, A=Advised,
 S=Situational, X=Not used, N=Not recommended)

3.8 MAN Segment

Counter	No	Tag	St	MaxOcc	Level	Name
---------	----	-----	----	--------	-------	------

0220 8 **MAN** O 10 1 Marks and Numbers

Standard			Implementation	
Tag	Name	St Format	St Format	Usage / Remark
MAN				
88	Marks and Numbers Qualifier	M ID 1/2	M ID 1/2	DZ Receiver Assigned Drop Zone
87	Marks and Numbers	M AN 1/45	M AN 1/45	Internal Route information
87	Marks and Numbers	O AN 1/45	N	Not used
88	Marks and Numbers Qualifier	C ID 1/2	N	Not used
87	Marks and Numbers	C AN 1/45	N	Not used
87	Marks and Numbers	O AN 1/45	N	Not used

Remark:

Field MAN02 This Field may hold information like the internal KLT route that can be used to group different part numbers per pallet.

Example:

MAN*DZ*NONE~

No = Consecutive segment number
 MaxOcc = Maximum occurrence of the segment/group
 Counter = Counter of segment/group within the standard

St = Status (M=Mandatory, R=Required, C=Conditional,
 O=Optional, F=Floating, D=Dependent, A=Advised,
 S=Situational, X=Not used, N=Not recommended)

3.9 N1 Segment

Counter	No	Tag	St	MaxOcc	Level	Name
0230		N1	O	200	1	N1-N4
0230	9	N1	M	1	1	Name

Standard			Implementation	
Tag	Name	St Format	St Format	Usage / Remark
N1				
98	Entity Identifier Code	M ID 2/2	M ID 2/2	ST Ship To
93	Name	C AN 1/35	C AN 1/35	Name of customer
66	Identification Code Qualifier	C ID 1/2	C ID 1/2	92 Assigned by Buyer or Buyer's Agent
67	Identification Code	C AN 2/20	C AN 2/20	Customer plant code
706	Entity Relationship Code	O ID 2/2	N	Not used
98	Entity Identifier Code	O ID 2/2	N	Not used

Remark:

Field N104 Field has to be referenced in 856 transmissions for each LIN segment in field LIN-N104.

Example:

N1*ST*CCUSA*92*US01~

No = Consecutive segment number
 MaxOcc = Maximum occurrence of the segment/group
 Counter = Counter of segment/group within the standard

St = Status (M=Mandatory, R=Required, C=Conditional,
 O=Optional, F=Floating, D=Dependent, A=Advised,
 S=Situational, X=Not used, N=Not recommended)

3.10 N4 Segment

Counter	No	Tag	St	MaxOcc	Level	Name
	0230	N1	O	200	1	N1-N4
	0260	N4	O	1	2	Geographic Location

Standard			Implementation	
Tag	Name	St Format	St Format	Usage / Remark
N4				
19	City Name	O AN 2/30	N	City of customer address
156	State or Province Code	O ID 2/2	N	State of customer address
116	Postal Code	O ID 3/11	N	ZIP code of customer address
26	Country Code	O ID 2/3	N	Country of customer address
309	Location Qualifier	C ID 1/2	C ID 1/2	DE Destination (Shipping)
310	Location Identifier	O AN 1/30	O AN 1/30	customer storage location

Remark:

Field N406 Field holds the value of the so-called storage location in customers ERP system. The value is specific per combination of scheduling agreement and scheduling agreement item. This is a dynamic value and shall not be hardcoded!

Example:

N4*Woodstock*AL*12345*US*DE*FK00~

No = Consecutive segment number
 MaxOcc = Maximum occurrence of the segment/group
 Counter = Counter of segment/group within the standard

St = Status (M=Mandatory, R=Required, C=Conditional,
 O=Optional, F=Floating, D=Dependent, A=Advised,
 S=Situational, X=Not used, N=Not recommended)

3.11 N1 Segment

Counter	No	Tag	St	MaxOcc	Level	Name
		N1	O	200	1	N1-N3-N4
0230		N1	M	1	1	Name

Standard			Implementation	
Tag	Name	St Format	St Format	Usage / Remark
N1				
98	Entity Identifier Code	M ID 2/2	M ID 2/2	SE Selling Party
93	Name	C AN 1/35	C AN 1/35	Name of supplier
66	Identification Code Qualifier	C ID 1/2	C ID 1/2	92 Assigned by Buyer or Buyer's Agent
67	Identification Code	C AN 2/20	C AN 2/20	Supplier number
706	Entity Relationship Code	O ID 2/2	N	Not used
98	Entity Identifier Code	O ID 2/2	N	Not used

Remark:

N104: This field will hold the partner number (supplier number in the customers system) that customer assigned for his supplier and hold a 10 digit number. This number has to be printed on each label when the parts are shipped to customer.

Example:

N1*SE*Supplier Name*92*012345678A~

No = Consecutive segment number
 MaxOcc = Maximum occurrence of the segment/group
 Counter = Counter of segment/group within the standard

St = Status (M=Mandatory, R=Required, C=Conditional,
 O=Optional, F=Floating, D=Dependent, A=Advised,
 S=Situational, X=Not used, N=Not recommended)

3.12 N3 Segment

Counter	No	Tag	St	MaxOcc	Level	Name
0230		N1	O	200	1	N1-N3-N4
0250	12	N3	O	2	2	Address Information

Standard			Implementation	
Tag	Name	St Format	St Format	Usage / Remark
N3				
166	Address Information	M AN 1/35	M AN 1/35	Street of supplier address
166	Address Information	O AN 1/35	N	Not used

Remark:

Example:

N3*SUITE 0815 123 EXAMPLE DRIVE~

No = Consecutive segment number
 MaxOcc = Maximum occurrence of the segment/group
 Counter = Counter of segment/group within the standard

St = Status (M=Mandatory, R=Required, C=Conditional,
 O=Optional, F=Floating, D=Dependent, A=Advised,
 S=Situational, X=Not used, N=Not recommended)

3.13 N4 Segment

Counter	No	Tag	St	MaxOcc	Level	Name
0230		N1	O	200	1	N1-N3-N4
0260	13	N4	O	1	2	Geographic Location

Standard			Implementation	
Tag	Name	St Format	St Format	Usage / Remark
N4				
19	City Name	O AN 2/30	O AN 2/30	City of supplier address
156	State or Province Code	O ID 2/2	O ID 2/2	State of supplier address
116	Postal Code	O ID 3/11	O ID 3/11	ZIP code of supplier address
26	Country Code	O ID 2/3	O ID 2/3	Country of customer address
309	Location Qualifier	C ID 1/2	N	Not used
310	Location Identifier	O AN 1/30	N	Not used

Remark:

Example:

N4*CHICAGO*IL*60675*US~

No = Consecutive segment number
 MaxOcc = Maximum occurrence of the segment/group
 Counter = Counter of segment/group within the standard

St = Status (M=Mandatory, R=Required, C=Conditional,
 O=Optional, F=Floating, D=Dependent, A=Advised,
 S=Situational, X=Not used, N=Not recommended)

3.14 LIN Segment

Counter	No	Tag	St	MaxOcc	Level	Name
0010		LIN	M	>1	1	LIN-UIT-PID-PKG-PO4-REF-FST-SHP
0010	14	LIN	M	1	1	Item Identification

Standard		Implementation		
Tag	Name	St Format	St Format	Usage / Remark
LIN				
350	Assigned Identification	O AN 1/11	O AN 1/6	Scheduling agreement item
235	Product/Service ID Qualifier	M ID 2/2	M ID 2/2	BP Buyer's Part Number
234	Product/Service ID	M AN 1/40	M AN 1/22	Customer part no.
235	Product/Service ID Qualifier	C ID 2/2	C ID 2/2	PO Purchase Order Number
234	Product/Service ID	C AN 1/40	C AN 1/10	Scheduling agreement number (equal to BFR11)
235	Product/Service ID Qualifier	C ID 2/2	C ID 2/2	RN Release Number
234	Product/Service ID	C AN 1/40	C AN 1/40	Customer number for forecast (running number) (equal to BFR03)
235	Product/Service ID Qualifier	C ID 2/2	C ID 2/2	RC Returnable Container No.
234	Product/Service ID	C AN 1/40	C AN 1/40	Customer packaging material no.
235	Product/Service ID Qualifier	C ID 2/2	N	Not used
234	Product/Service ID	C AN 1/40	N	Not used

Remark:

- Field LIN01 This field should hold the scheduling agreement item number and has to be referenced together with the scheduling agreement number (from LIN05) in the 856 transmission. A material release is issued per combination of scheduling agreement and scheduling agreement item. Each supplier can receive several separate material releases for the same part number but for different scheduling agreement items. Each item references a different storage location (N1-N406) and dock code/unloading point (LIN-REF02).
 → Information item number, storage location and dock code are dynamic and shall not be hardcoded!
- Field LIN03 This field holds the customer part number that has to be referenced in the 856 transmission and printed human readable and barcoded on each Single and Master label when the parts are shipped to customer.
 → please see also 4.2 Format of customers part number from LIN03

Example:

LIN*00010*BP*A2472900400*PO*5500000080*RN*3*RC*T55010~

No = Consecutive segment number
 MaxOcc = Maximum occurrence of the segment/group
 Counter = Counter of segment/group within the standard

St = Status (M=Mandatory, R=Required, C=Conditional, O=Optional, F=Floating, D=Dependent, A=Advised, S=Situational, X=Not used, N=Not recommended)

3.15 UIT Segment

Counter	No	Tag	St	MaxOcc	Level	Name
0010		LIN	M	>1	1	LIN-UIT-PID-PKG-PO4-REF-FST-SHP
0020	15	UIT	O	1	2	Unit Detail

Standard			Implementation	
Tag	Name	St Format	St Format	Usage / Remark
UIT				
C001	Composite Unit of Measure	M	M	
355	Unit or Basis for Measurement Code	M ID 2/2	M ID 2/2	Customer quantity unit

Remark:

Field UIT02 This field holds the customers Unit of Measure. This code shall be transmitted back in each SN103 field.
 Link with allowed unit of measure codes: http://das.ct.gov/Purchase/Info/ANSI_UNITS_OF_MEASURE.pdf

Example:

UIT*EA~

No = Consecutive segment number
 MaxOcc = Maximum occurrence of the segment/group
 Counter = Counter of segment/group within the standard

St = Status (M=Mandatory, R=Required, C=Conditional,
 O=Optional, F=Floating, D=Dependent, A=Advised,
 S=Situational, X=Not used, N=Not recommended)

3.16 PID Segment

Counter	No	Tag	St	MaxOcc	Level	Name
0010		LIN	M	>1	1	LIN-UIT-PID-PKG-PO4-REF-FST-SHP
0080	16	PID	O	1000	2	Product/Item Description

Standard			Implementation	
Tag	Name	St Format	St Format	Usage / Remark
PID				
349	Item Description Type	M ID 1/1	M ID 1/1	F Free-form
750	Product/Process Characteristic Code	O ID 2/3	N	Not used
559	Agency Qualifier Code	C ID 2/2	N	Not used
751	Product Description Code	C AN 1/12	N	Not used
352	Description	C AN 1/80	C AN 1/80	Material description
752	Surface/Layer/Position Code	O ID 2/2	N	Not used
822	Source Subqualifier	O AN 1/15	N	Not used
1073	Yes/No Condition or Response Code	O ID 1/1	N	Not used

Remark:

PID05 This field contains the material short text that should be printed on each Single and Master Label when this part is shipped to customer.

Example:

PID*F***AIR DUCT LH / FLANSCH / MOLA-KUEHLSCHLAU~

No = Consecutive segment number
 MaxOcc = Maximum occurrence of the segment/group
 Counter = Counter of segment/group within the standard

St = Status (M=Mandatory, R=Required, C=Conditional,
 O=Optional, F=Floating, D=Dependent, A=Advised,
 S=Situational, X=Not used, N=Not recommended)

3.17 REF Segment

Counter	No	Tag	St	MaxOcc	Level	Name
0010		LIN	M	>1	1	LIN-UIT-PID-PKG-PO4-REF-FST-SHP
0140	19	REF	O	12	2	Reference Numbers

Standard			Implementation	
Tag	Name	St Format	St Format	Usage / Remark
REF				
128	Reference Number Qualifier	M ID 2/2	M ID 2/2	DK Dock Number
127	Reference Number	C AN 1/30	C AN 1/5	Unloading point
352	Description	C AN 1/80	N	Not used

Remark:

REF02 This field contains the unloading point/receiving dock. Each 856 transmission shall send a separate 856 message per unloading point (split criteria for delivery note)
→ Unloading point is dynamic and shall not be hardcoded!

Example:

REF*DK*MX01~

No = Consecutive segment number
 MaxOcc = Maximum occurrence of the segment/group
 Counter = Counter of segment/group within the standard

St = Status (M=Mandatory, R=Required, C=Conditional,
 O=Optional, F=Floating, D=Dependent, A=Advised,
 S=Situational, X=Not used, N=Not recommended)

3.18 FST Segment

Counter	No	Tag	St	MaxOcc	Level	Name
0410		FST	O	>1	2	FST
0410	20	FST	M	1	2	Forecast Schedule

Standard			Implementation	
Tag	Name	St Format	St Format	Usage / Remark
FST				
380	Quantity	M R 1/15	M R 1/15	Scheduled quantity
680	Forecast Qualifier	M ID 1/1	M ID 1/1	A Past Due immediate D Planning Z Backlog
681	Forecast Timing Qualifier	M ID 1/1	M ID 1/1	D Discrete F Interval with start to end date M Monthly Bucket (Calendar Months) W Weekly Bucket (Monday through Sunday)
373	Date	M DT 6/6	M DT 6/6	Scheduled date from
373	Date	O DT 6/6	O DT 6/6	Scheduled date to
374	Date/Time Qualifier	C ID 3/3	C ID 3/3	Not used
337	Time	C TM 4/8	C TM 4/8	Not used
128	Reference Number Qualifier	C ID 2/2	N	Not used
127	Reference Number	C AN 1/30	N	Not used
783	Planning Schedule Type Code	O ID 2/2	N	Not used

Remark:

- Field FST01 Quantities sent in the release are Discrete quantities (indicated by FST03). The release only holds the current cumulative quantity received in segment SHP.
- Field FST02 If backlog exists the first FST segment in the transmission will have a qualifier Z. The backlog includes quantities in transit that did not reach customer yet. The quantities will be part of the cumulative quantity received once the trailers are set in yard/passed the gate at customer.
- Field FST03 If the Qualifier F is transmitted the content the segments the subtotal of open quantities inside the given horizon. There will be one segment created for the production go-ahead quantity and a second one for the material go-ahead quantity.

Example:

FST*5*D*D*180130*180130~
FST*10*D*D*180307*180307~

No = Consecutive segment number
MaxOcc = Maximum occurrence of the segment/group
Counter = Counter of segment/group within the standard

St = Status (M=Mandatory, R=Required, C=Conditional,
O=Optional, F=Floating, D=Dependent, A=Advised,
S=Situational, X=Not used, N=Not recommended)

3.19 SHP Segment

Counter	No	Tag	St	MaxOcc	Level	Name
0470		SHP	O	25	2	SHP-REF
0470	21	SHP	M	1	2	Shipped/Received Information

Standard			Implementation	
Tag	Name	St Format	St Format	Usage / Remark
SHP				
673	Quantity Qualifier	O ID 2/2	O ID 2/2	01 Discrete Quantity
380	Quantity	C R 1/15	C R 1/15	Delivery quantity
374	Date/Time Qualifier	C ID 3/3	C ID 3/3	050 Received
373	Date	C DT 6/6	C DT 6/6	Delivery date in format YYMMDD
337	Time	C TM 4/8	N	Not used
373	Date	O DT 6/6	N	Not used
337	Time	O TM 4/8	N	Not used

Remark:

This segment in combination with the subsequent REF segment contains data referencing the last delivery note posted goods receipt against this scheduling agreement item

SHP02 total quantity on last delivery note received against this scheduling agreement and scheduling agreement item

Example:

SHP*01*10*050*180105~

No = Consecutive segment number
 MaxOcc = Maximum occurrence of the segment/group
 Counter = Counter of segment/group within the standard

St = Status (M=Mandatory, R=Required, C=Conditional,
 O=Optional, F=Floating, D=Dependent, A=Advised,
 S=Situational, X=Not used, N=Not recommended)

3.20 REF Segment

Counter	No	Tag	St	MaxOcc	Level	Name
0470		SHP	O	25	2	SHP-REF
0480	22	REF	O	5	3	Reference Numbers

Standard			Implementation	
Tag	Name	St Format	St Format	Usage / Remark
REF				
128	Reference Number Qualifier	M ID 2/2	M ID 2/2	SI Shipper's Identifying Number for Shipment (SID)
127	Reference Number	C AN 1/30	C AN 1/10	Delivery note no.
352	Description	C AN 1/80	N	Not used

Remark:

REF02 Delivery note number of last delivery arrived against this scheduling agreement item.

Example:

REF*SI*XYZ0815~

No = Consecutive segment number
 MaxOcc = Maximum occurrence of the segment/group
 Counter = Counter of segment/group within the standard

St = Status (M=Mandatory, R=Required, C=Conditional,
 O=Optional, F=Floating, D=Dependent, A=Advised,
 S=Situational, X=Not used, N=Not recommended)

3.21 SHP Segment

Counter	No	Tag	St	MaxOcc	Level	Name
0470		SHP	O	25	2	SHP
0470	25	SHP	M	1	2	Shipped/Received Information

		Standard	Implementation	
Tag	Name	St Format	St Format	Usage / Remark
SHP				
673	Quantity Qualifier	O ID 2/2	O ID 2/2	02 Cumulative Quantity
380	Quantity	C R 1/15	C R 1/15	Current cumulative quantity received
374	Date/Time Qualifier	C ID 3/3	C ID 3/3	051 Cumulative Quantity Start
373	Date	C DT 6/6	C DT 6/6	Reconciliation Date for Agreed Cumulative Quantity
337	Time	C TM 4/8	N	Not used
373	Date	O DT 6/6	O DT 6/6	Date of the previous delivery schedule
337	Time	O TM 4/8	N	Not used

Remark:

Segment SHP and subsequent REF segment where SHP01 = 02 and SHP03 = 051 contains the cumulated received quantity (all quantities received by customer against this scheduling agreement item).

- SHP02 The current cumulative quantity received is transmitted in this field. The quantity includes all parts received in yard and posted Goods receipt against this scheduling agreement and scheduling agreement item. The quantity in transit is **not** included in this figure.
- SHP04 The date transmitted in this field contains the date when the cumulative quantity was set the last time. If the value is "000000" the cumulative quantity has not been reset until now.
- SHP05 The date transmitted in this field contains the date when the last material release was created in reference to this scheduling agreement and scheduling agreement item.

Example:

SHP*02*100*051*180101**180213~

No = Consecutive segment number
 MaxOcc = Maximum occurrence of the segment/group
 Counter = Counter of segment/group within the standard

St = Status (M=Mandatory, R=Required, C=Conditional,
 O=Optional, F=Floating, D=Dependent, A=Advised,
 S=Situational, X=Not used, N=Not recommended)

3.22 CTT Segment

Counter	No	Tag	St	MaxOcc	Level	Name
---------	----	-----	----	--------	-------	------

0010 26 **CTT** O 1 0 Transaction Totals

Standard			Implementation	
Tag	Name	St Format	St Format	Usage / Remark
CTT				
354	Number of Line Items	M N0 1/6	M N0 1/6	
347	Hash Total	O R 1/10	N	Not used
81	Weight	C R 1/10	N	Not used
355	Unit or Basis for Measurement Code	C ID 2/2	N	Not used
183	Volume	C R 1/8	N	Not used
355	Unit or Basis for Measurement Code	C ID 2/2	N	Not used
352	Description	O AN 1/80	N	Not used

Remark:

Example:

CTT*1~

No = Consecutive segment number
 MaxOcc = Maximum occurrence of the segment/group
 Counter = Counter of segment/group within the standard

St = Status (M=Mandatory, R=Required, C=Conditional,
 O=Optional, F=Floating, D=Dependent, A=Advised,
 S=Situational, X=Not used, N=Not recommended)

3.23 SE Segment

Counter	No	Tag	St	MaxOcc	Level	Name
0020	27	SE	M	1	0	Transaction Set Trailer

Standard			Implementation	
Tag	Name	St Format	St Format	Usage / Remark
SE				
96	Number of Included Segments	M NO 1/10	M NO 1/10	
329	Transaction Set Control Number	M AN 4/9	M AN 4/9	

Remark:

Example:

SE*19*0001

No = Consecutive segment number
 MaxOcc = Maximum occurrence of the segment/group
 Counter = Counter of segment/group within the standard

St = Status (M=Mandatory, R=Required, C=Conditional,
 O=Optional, F=Floating, D=Dependent, A=Advised,
 S=Situational, X=Not used, N=Not recommended)

3.24 GE Segment

Counter	No	Tag	St	MaxOcc	Level	Name
0000	28	GE	C	1	0	Functional Group Trailer

Standard			Implementation	
Tag	Name	St Format	St Format	Usage / Remark
GE				
97	Number of Transaction Sets Included	M NO 1/6	M NO 1/6	
28	Group Control Number	M NO 1/9	M NO 1/9	

Remark:

Example:

GE*1*4~

No = Consecutive segment number
 MaxOcc = Maximum occurrence of the segment/group
 Counter = Counter of segment/group within the standard

St = Status (M=Mandatory, R=Required, C=Conditional,
 O=Optional, F=Floating, D=Dependent, A=Advised,
 S=Situational, X=Not used, N=Not recommended)

3.25 IEA Segment

Counter	No	Tag	St	MaxOcc	Level	Name
0000	29	IEA	M	1	0	Interchange Control Trailer

Standard			Implementation	
Tag	Name	St Format	St Format	Usage / Remark
IEA				
I16	Number of Included Functional Groups	M NO 1/5	M NO 1/5	
I12	Interchange Control Number	M NO 9/9	M NO 9/9	

Remark:

Example:

IEA*1*000000004~

No = Consecutive segment number
 MaxOcc = Maximum occurrence of the segment/group
 Counter = Counter of segment/group within the standard

St = Status (M=Mandatory, R=Required, C=Conditional,
 O=Optional, F=Floating, D=Dependent, A=Advised,
 S=Situational, X=Not used, N=Not recommended)

4 Appendix

4.1 General information

830 transmissions for direct materials will have only one scheduling agreement item (LIN segment) per BRF segment.

4.2 Format of customers part number from LIN03

The part number is specified in the material release.

Valid part numbers generally consist of a letter ("A", "B", "H", "Z" or "T" (for new containers)) and 8-11 numbers.

No blank spaces or special characters

Exceptions: part numbers with supplementary codes ES1 and ES2

Example 1: Daimler part number without supplementary code

Character	1	2	3	4	5	6	7	8	9	10	11	12	13	14	15	16	17	18	19	20	21	22
Customer Part number																						
Entry																						
Daimler Part number	A	1	2	4	4	0	1	1	2	6	1											

Example 2: Daimler part number for "colored" parts with indicator letter A and supplementary code (ES1), ES2

Character	1	2	3	4	5	6	7	8	9	10	11	12	13	14	15	16	17	18	19	20	21	22
Customer Part number																						
Entry																						
Daimler Part number	A	1	2	4	4	0	1	1	2	6	1							9	0	5	1	

4.3 Example message

ISA*00* *00* *ZZ*DAI_GSSPLUS_T *01*123456789
*180307*2103*U*00200*000000004*0*T*>~
GS*PS*???????*18150815*180307*2103*4*X*003050~
ST*830*0001~
BFR*05**3*DL*A*180213*190531*180307***5500000080~
PER*OD*PERSON 1~
TD5****J~
MAN*DZ*NONE~
N1*SE*Supplier name*92*0015341977~
N3*100 Street~
N4*Chicago*IN*98765*US~
N1*ST*Customer name*92*US01~
N4*Woodstock*AL*12345*US*DE*FK00~
LIN*00010*BP*A2472900400*PO*5500000080*RN*3~
UIT*EA~
REF*DK*MX01~
FST*5*D*D*180130*180130~
FST*10*D*D*180307*180307~
SHP*01*0~
SHP*02*0*051*180101**180213~
CTT*1~
SE*19*0001~
GE*1*4~
IEA*1*000000004~